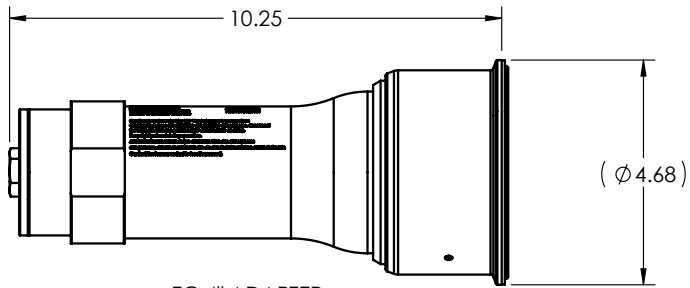


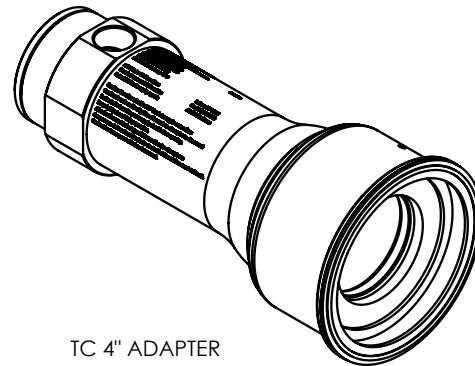
2

1

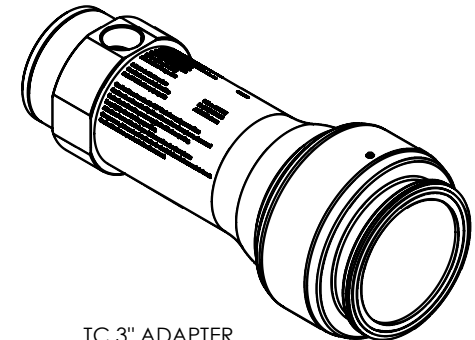
REVISIONS				
REV	DESCRIPTION	DATE	DRAWN	APPROVED
A	ORIGINAL RELEASE	06/29/2022	JF	



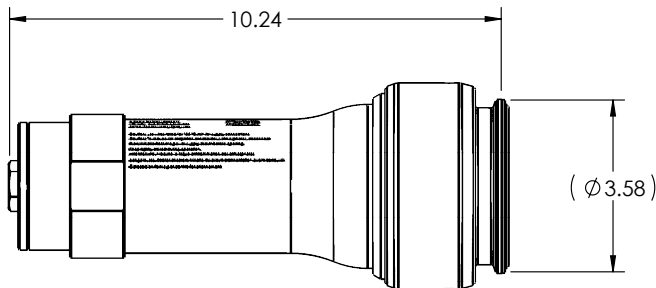
TC 4" ADAPTER



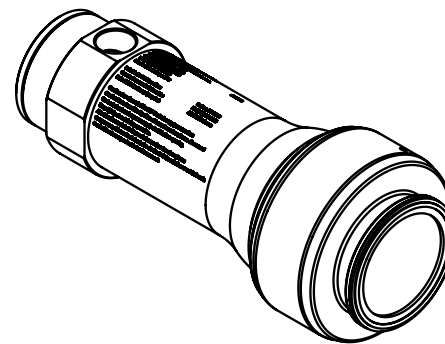
TC 4" ADAPTER



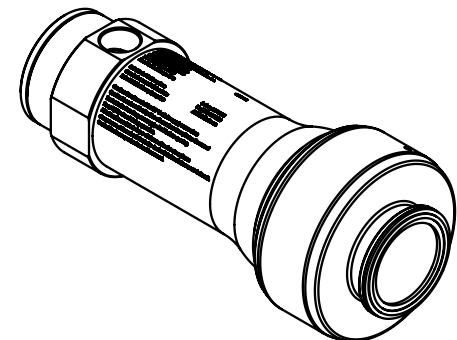
TC 3" ADAPTER



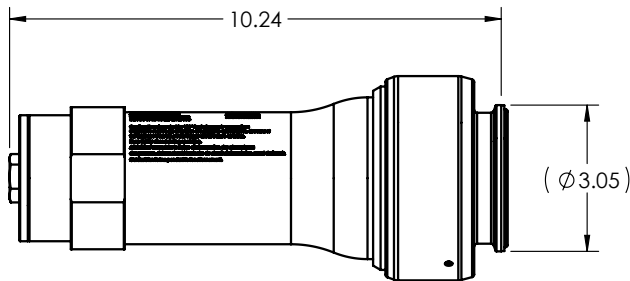
TC 3" ADAPTER



TC 2.5" ADAPTER



TC 2" ADAPTER



TC 2.5" ADAPTER



TC 2" ADAPTER

UNLESS OTHERWISE SPECIFIED	DR JF	DATE 06/29/2022
DIMENSIONS IN INCHES	CHKD	DATE
DECIMALS FRACTIONS	APVD	DATE
X ± .030 ± 1/16	APVD	DATE
XX ± .015 ANGLES ± .5°		
XXX ± .010		
REMOVE ALL BURRS AND BREAK SHARP EDGES .02 MAX	MATERIAL: PER ORDER	
SURFACE ROUGHNESS ✓	FINISH: NONE	
DIMENSIONS AFTER PLATING OR COATING	DO NOT SCALE DRAWING	
THIRD ANGLE PROJECTION		



357 SPOOK ROCK ROAD
SUFFERN, NY 10901
(845) 368-3600
FAX (845) 368-3040

TITLE: EX20 TC LIGHT ADAPTER KIT		
SIZE	SCALE: 1:4	SHEET 1 OF 1
A	DWG. NO. EX20 TC ADAPTER KIT	REV A

2

1