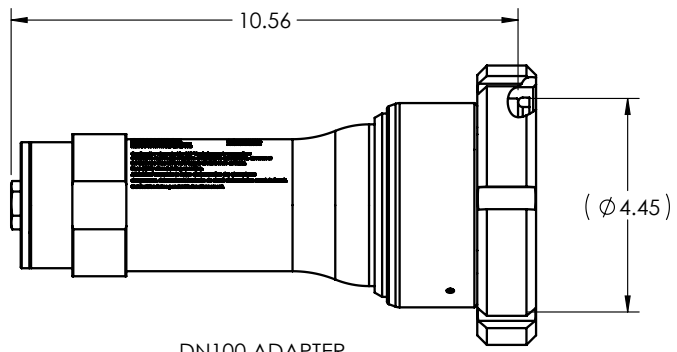


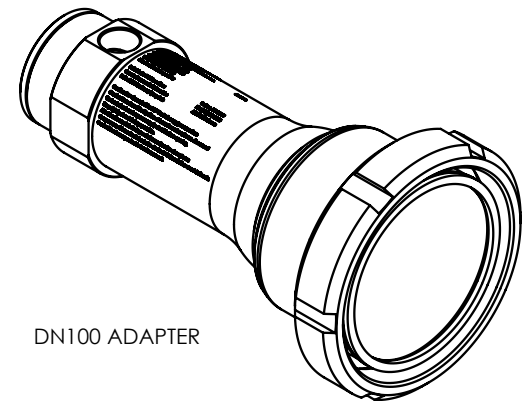
2

1

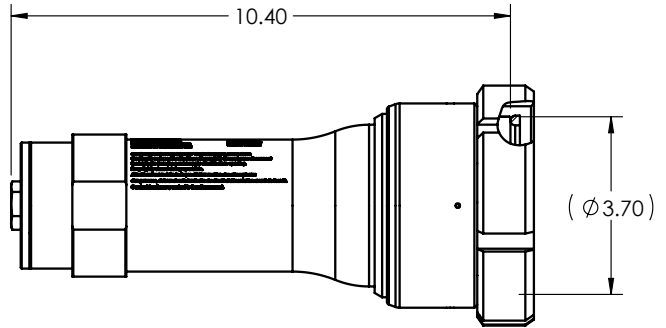
REVISIONS				
REV	DESCRIPTION	DATE	DRAWN	APPROVED
A	ORIGINAL RELEASE	06/29/2022	JF	



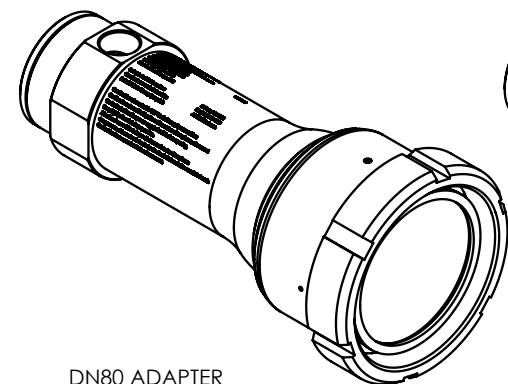
DN100 ADAPTER



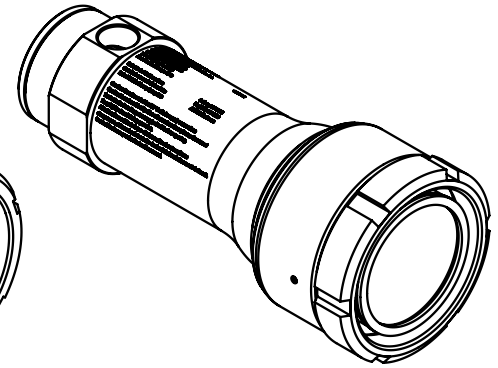
DN100 ADAPTER



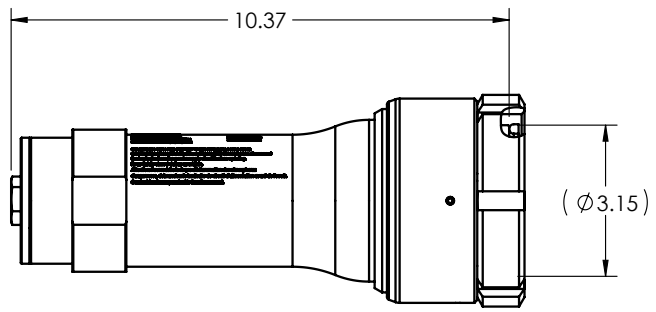
DN80 ADAPTER



DN80 ADAPTER



DN65 ADAPTER



DN65 ADAPTER

UNLESS OTHERWISE SPECIFIED	DR	JF	DATE	06/29/2022
DIMENSIONS IN INCHES	CHKD		DATE	
DECIMALS	APVD		DATE	
X ± .030	APVD		DATE	
XX ± .015				
XXX ± .010				
REMOVE ALL BURRS AND BREAK SHARP EDGES .02 MAX	MATERIAL:		PER ORDER	
SURFACE ROUGHNESS ✓	FINISH:		NONE	
DIMENSIONS AFTER PLATING OR COATING	DO NOT SCALE DRAWING			
THIRD ANGLE PROJECTION				



357 SPOOK ROCK ROAD
SUFFERN, NY 10901
(845) 368-3600
FAX (845) 368-3040

TITLE:
EX20 DN LIGHT ADAPTER KIT

SIZE	SCALE: 1:4	SHEET 1 OF 1
A	DWG. NO.	REV
	EX20 DN ADAPTER KIT	A

2

1