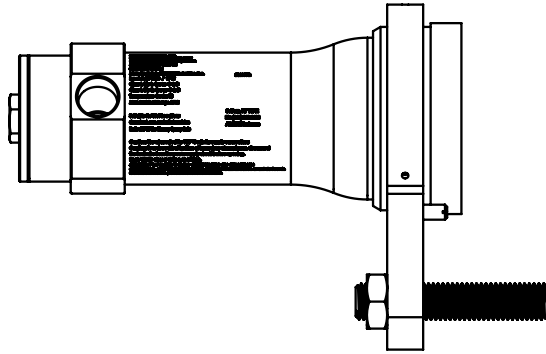
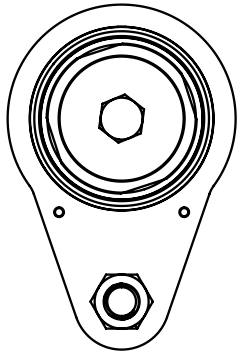


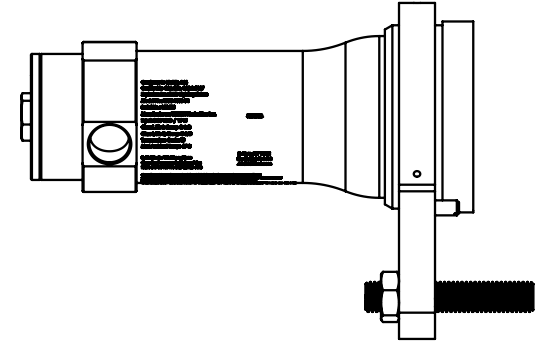
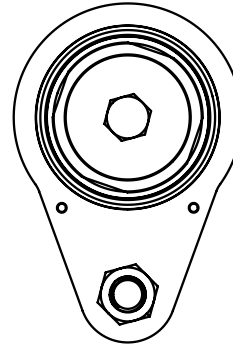
2

1

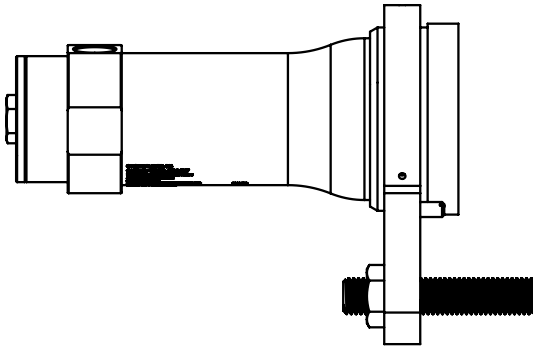
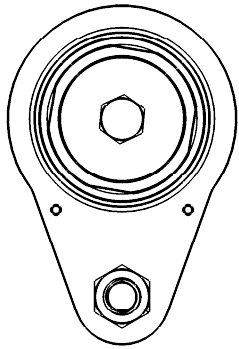
REVISIONS				
REV	DESCRIPTION	DATE	DRAWN	APPROVED
A	ORIGINAL RELEASE	06/30/2022	JF	



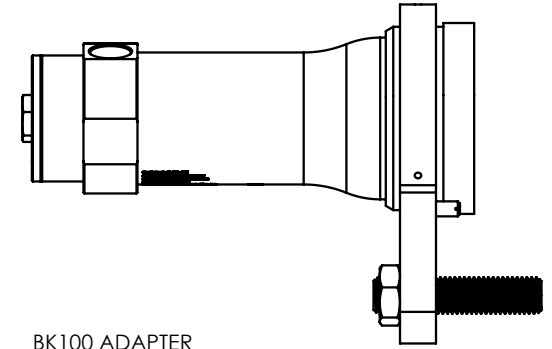
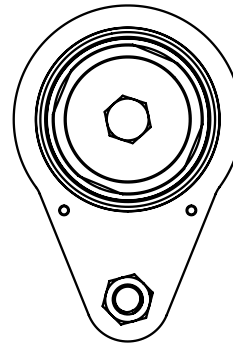
BK200 ADAPTER




BK-125 ADAPTER



BK150 ADAPTER



BK100 ADAPTER

UNLESS OTHERWISE SPECIFIED	DR JF	DATE 06/29/2022	 <p>357 SPOOK ROCK ROAD SUFFERN, NY 10901 (845) 368-3600 FAX (845) 368-3040</p>
DIMENSIONS IN INCHES	CHKD	DATE	
DECIMALS FRACTIONS	APVD	DATE	
X ± .030 ± 1/16	APVD	DATE	
XX ± .015 ANGLES ±.5°	MATERIAL: PER ORDER		TITLE: EX20 BK LIGHT ADAPTER KIT
REMOVE ALL BURRS AND BREAK SHARP EDGES .02 MAX	FINISH: NONE		SIZE SCALE: 1:4 SHEET 1 OF 2
SURFACE ROUGHNESS ✓	DO NOT SCALE DRAWING		DWG. NO. A EX20 BK ADAPTER KIT REV A
DIMENSIONS AFTER PLATING OR COATING			
THIRD ANGLE PROJECTION			

2

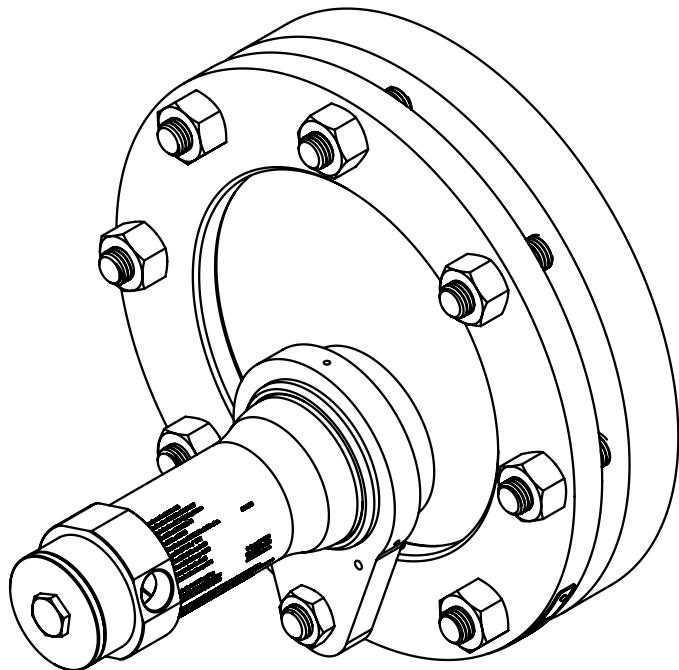
1

2

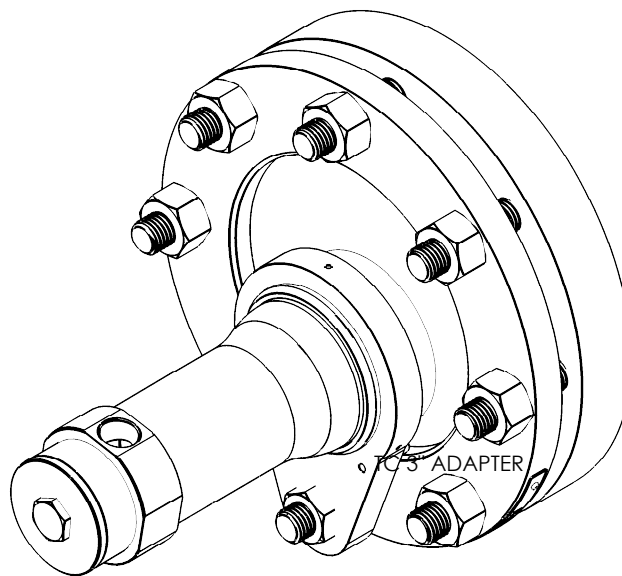
1

B

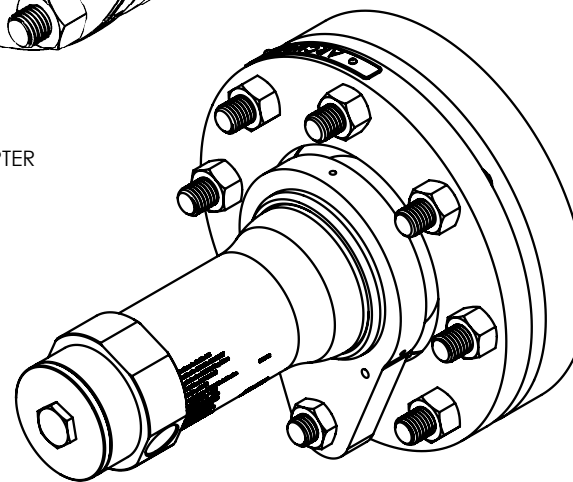
B



BK200 ADAPTER



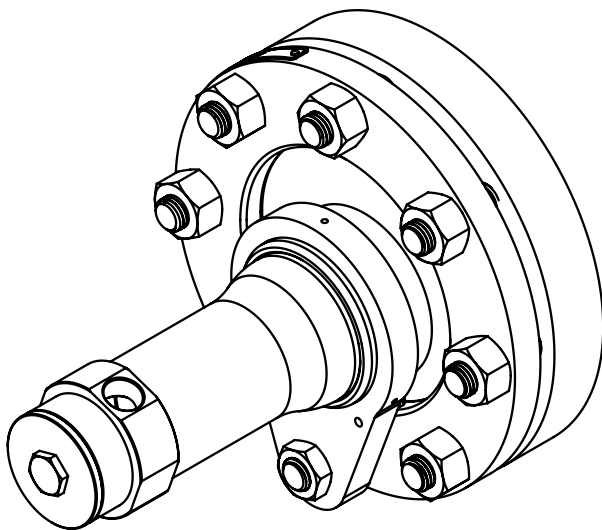
BK150 ADAPTER



BK100 ADAPTER

A


A



BK125 ADAPTER

2

1

UNLESS OTHERWISE SPECIFIED	DR JF	DATE 06/29/2022	 357 SPOOK ROCK ROAD SUFFERN, NY 10901 (845) 368-3600 FAX (845) 368-3040
DIMENSIONS IN INCHES	CHKD	DATE	
DECIMALS FRACTIONS	APVD	DATE	TITLE: EX20 BK LIGHT ADAPTER KIT
X ± .030 ± 1/16	APVD	DATE	
XX ± .015 ANGLES	MATERIAL: PER ORDER		SIZE SCALE: 1:4 SHEET 2 OF 2 DWG. NO. REV A EX20 BK ADAPTER KIT A
XXX ± .010 ± .5°	FINISH: NONE		
REMOVE ALL BURRS AND BREAK SHARP EDGES .02 MAX	DO NOT SCALE DRAWING		
SURFACE ROUGHNESS ✓			
DIMENSIONS AFTER PLATING OR COATING			
THIRD ANGLE PROJECTION 