



MODEL WD2010 – STEAM / WATER MIXING UNIT

Description:

ARCHON Washdown Stations are simple, easy to use and are engineered for maximum SAFETY.

Steam and cold water are carefully and thoroughly mixed to provide "instant" hot water on demand.

Using the proportional flow water and steam control valves, the operator can adjust the washdown station to deliver the desired hot water temperature as indicated on the dial thermometer located in the mixed water discharge.

Features:

- Safety valve shuts steam supply off if water pressure drops
- Designed to reduce carbonate or mineral build-up at steam inlet valve
- Manually operated flow proportioning control valves
- Internal steam and water check valves to prevent backflow
- Integral steam-water venturi mixer for consistent mixing
- Outlet liquid temperature indicating dial gauge
- Simple wall mounting design for easy installation
- Stainless steel hose rack for convenient hose storage

Operating conditions:

All units have a maximum allowable pressure of 200 psig steam. See table below for recommend supply pressure.

Water supply pressure up to 150 psig.

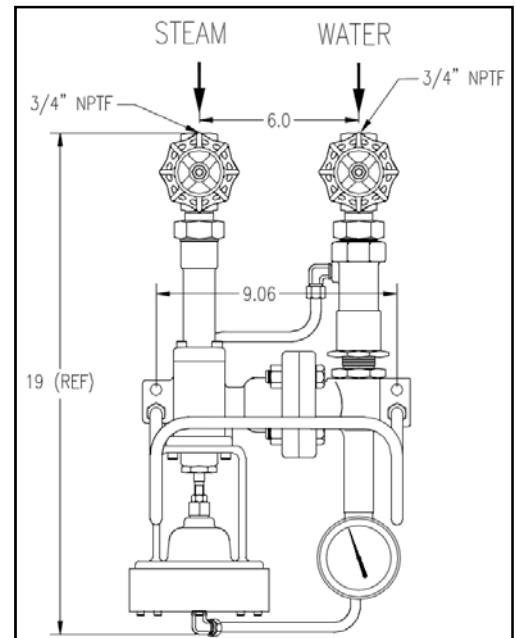
Materials:

Body castings: ASTM B61 Bronze or 316 stainless steel.

Seals: PTFE and EPDM.

Connections:

Inlet and outlet connections: 3/4" NPT Female



Model	Water Pressure psig	Recommended Steam Pressure psig	Maximum recommended discharge temperature	Outlet flow rate gpm
WD2010-XX-100	30—150	20—60	190°F	2.5—4.5
WD2010-XX-500	40—150	50—150	190°F	4.5—8.5
WD2010-XX-900	50—150	150—200	190°F	6—9

XX = BR for Bronze. XX = SS for 316 Stainless Steel

Contact ARCHON for additional material options, temperature ratings or special configurations.