



## MODEL KBRF - BOLT-ON SIGHT GLASS

### Description:

Model KBRF sight glasses are designed for process observation when bolted on to a standard ASME / ANSI raised face flange. They are widely used in the general processing industry to allow any existing flanged connection to become a sight glass. They are available in various materials of construction including carbon steel, stainless steel and nickel alloys, and are for use in vacuum and pressure applications.

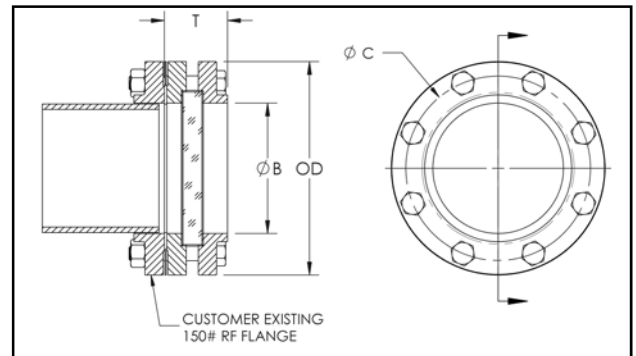
### Operating conditions:

Standard units are designed for full vacuum and 150 psig. Temperature rating is limited by the gasket material and/or lens material.

### Options and accessories:

KBRF sight glasses can be supplied with the following options and accessories:

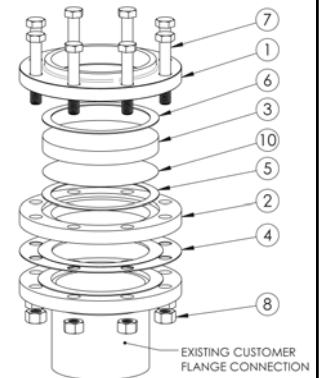
- Lighting units for hazardous or non-hazardous locations
- Low pressure wipers



Size	"OD"	"B"	"C"	"T"	Bolting
1"	4-1/4"	1.36"	3-1/8"	1-5/8"	(4) x 1/2"
1.5"	5"	1.95"	3-7/8"	2"	(4) x 1/2"
2.0"	6"	2.44"	4-3/4"	2-1/4"	(4) x 5/8"
2.5"	7"	2.94"	5-1/2"	2-1/4"	(4) x 5/8"
3.0"	7-1/2"	3.57"	6"	2-9/16"	(4) x 5/8"
4.0"	9"	4.57"	7-1/2"	2-11/16"	(8) x 5/8"
5.0"	10"	5.66"	8-1/2"	2-13/16"	(8) x 3/4"
6.0"	11"	6.72"	9-1/2"	3-3/16"	(8) x 3/4"
8.0"	13-1/2"	8.72"	11-3/4"	3-11/16"	(8) x 3/4"
10.0"	16"	10.88"	14-1/4"	4-1/4"	(12) x 7/8"

### Item: Description:

1. Cover Flange
2. Interior Flange
3. Lens
4. Full Face Gasket
5. Seal Gasket
6. Cushion Gasket
7. Hex Head Bolt
8. Hex Nut
9. Nameplate
10. Shield (optional)



### Ordering Information:\*

Model: KBRF						
Size:	Cover Flange:	Interior Flange:	Seal Gasket:	Lens:	Accessories:	Configuration:
010: 1.0"	040: 4.0"	A: Carbon	17: PTFE Env.	A: Tempered	C: Low Pressure	Blank: Standard
015: 1.5"	050: 5.0"	Steel	Non-asbestos	B: Tempered	Wiper	A—Z: Special
020: 2.0"	060: 6.0"	B: 304 SS	07: Expanded	Soda-Lime	E: Light mounting	
025: 2.5"	080: 8.0"	C: 316 SS	PTFE	C: Quartz		
030: 3.0"	100: 10.0"	E: Duplex 2205	11: Grafoil	E: Acrylic		
		J: Alloy C276				

\*Contact ARCHON for additional material options, temperature ratings or special configurations.