



MODEL KB - WELD PAD CIRCULAR SIGHT GLASS

Description:

Model KB sight glasses are designed for welding into ASME Code and non-code pressure vessels, piping or tank walls. They are available in various materials of construction, and are for use in vacuum and pressure applications. Custom designs are available for higher pressure ratings, special sizes, and cylindrical or spherically radiused weld pads.

Model KB sight glass materials conform to ASME Boiler & Pressure Vessel code.

Operating conditions:

Standard units are designed for full vacuum and up to 150 psig. Higher pressure ratings are available upon request. Temperature rating is limited by the gasket material and/or lens material.

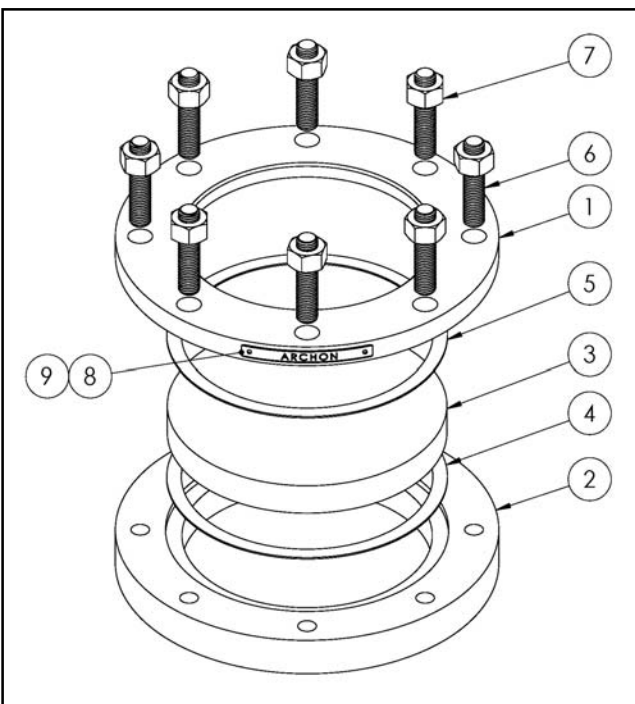
Options and accessories:

KB sight glasses can be supplied with the following options and accessories:

- Lighting units for hazardous or non-hazardous locations
- Low and high pressure wipers
- Spray wash systems



ARCHON Model KB complete assembly shown.



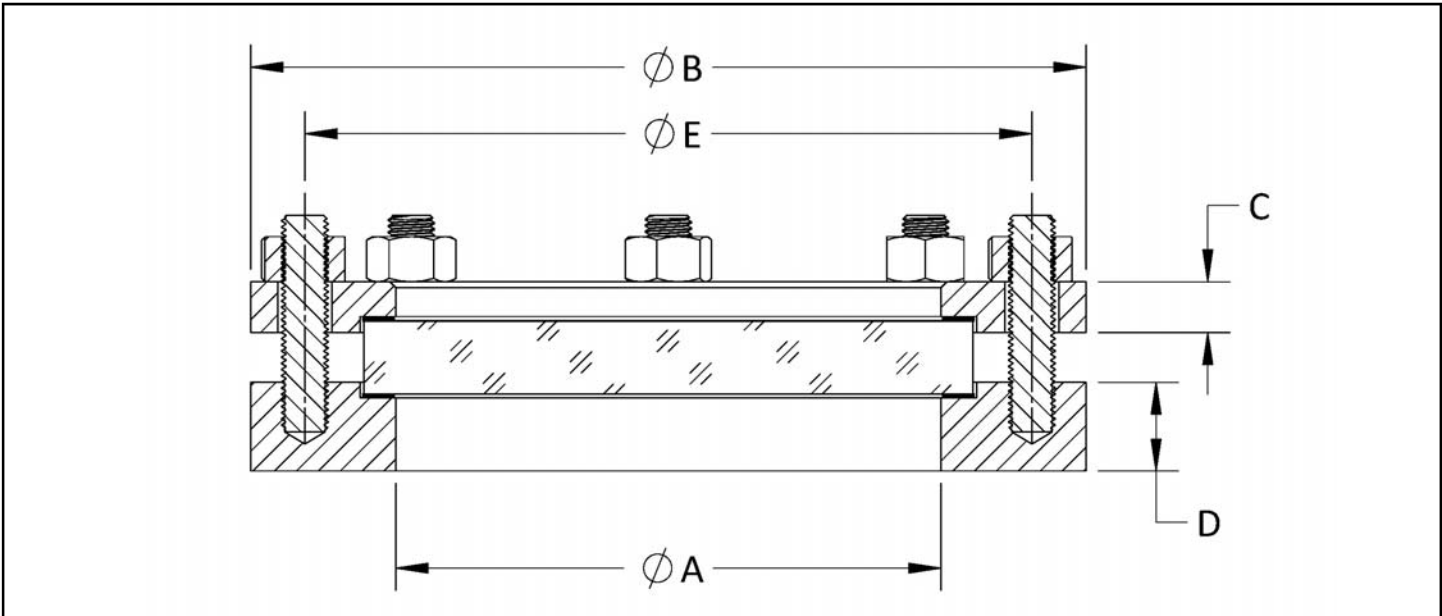
ARCHON Model KB exploded view.

Materials:

Item:	Description:	Material specification:
1	Cover Flange	304L, 316L, carbon steel, ASME SA material
2	Weld Pad	304L, 316L, carbon steel, ASME SA material
3	Lens	Tempered borosilicate, tempered soda lime, quartz, polycarbonate, acrylic
4	Seal Gasket	Non-asbestos, EPDM, nitrile, silicone, PTFE, Viton®, graphite
5	Cushion Gasket	Non-asbestos, PTFE, graphite
6	Stud	Stainless steel, alloy steel. ASME SA material
7	Hex nut	Stainless steel, alloy steel. ASME SA material
8,9	Nameplate	Stainless steel



MODEL KB - WELD PAD CIRCULAR SIGHT GLASS



Model	Maximum Pressure	"A"	"B"	"C"	"D"	"E"	Bolting (no.) x size
KB050	150 PSIG/FV	3-1/4"	7"	3/4"	1-3/16"	5-1/2"	(4) x 5/8"
KB080	150 PSIG/FV	4"	7-1/2"	3/4"	1-3/16"	6"	(4) x 5/8"
KB100	150 PSIG/FV	5"	9"	3/4"	1-3/16"	7-1/2"	(8) X 5/8"
KB125	150 PSIG/FV	6"	10"	3/4"	1-7/16"	8-1/2"	(8) X 3/4"
KB150	125 PSIG/FV	6-7/8"	11"	3/4"	1-7/16"	9-1/2"	(8) X 3/4"
KB200	125 PSIG/FV	8-13/16"	13-1/2"	13/16"	1-7/16"	11-3/4"	(8) X 3/4"

Ordering Information:*

Model: KB - -

<u>Size:</u>	<u>Cover:</u>	<u>Weld Pad:</u>	<u>Seal Gasket:</u>	<u>Lens:</u>	<u>Accessories:</u>	<u>Configuration:</u>
050	A: Carbon Steel	A: Carbon Steel	01: Non-asbestos	A: Tempered Borosilicate	0: None	00: Standard
080	B: 304/304L SS	B: 304/304L SS	02: EPDM	B: Tempered Soda Lime	B: Spray B	01 and up: Special
100	C: 316/316L SS	C: 316/316L SS	03: Nitrile	C: Quartz	C: Low pressure wiper	
125	D: 317/317L SS	D: 317/317L SS	06: Silicone	D: Polycarbonate	D: High pressure wiper	
150	E: 2205 Duplex	E: 2205 Duplex	07: Expanded PTFE	E: Acrylic	E: KAB lighting	
200	G: AL6XN	G: AL6XN	09: Viton®		F: HL lighting	
	H: Alloy C22	H: Alloy C22	11: Graphite		G: EX99 lighting	
	J: Alloy C276	J: Alloy C276				
	K: Alloy 20	K: Alloy 20				

*Contact ARCHON for additional material options and temperature ratings.