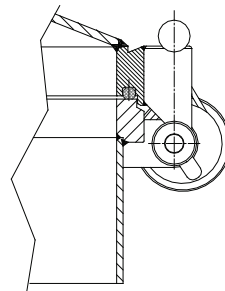
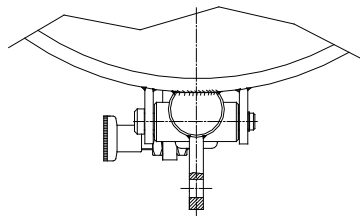
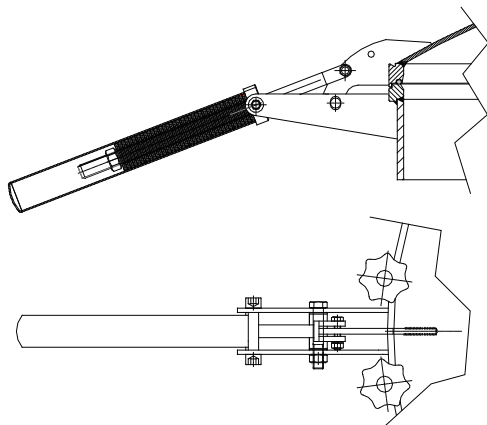
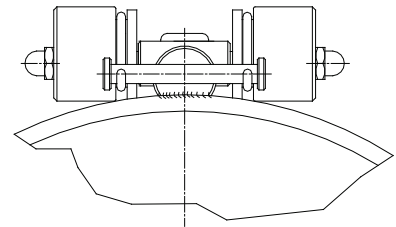


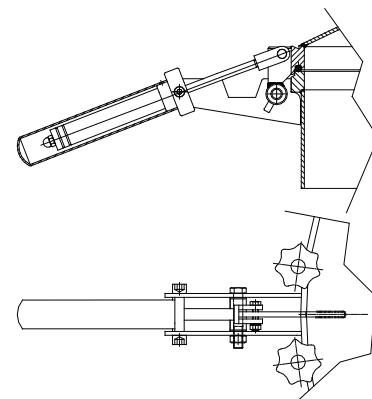
Locking Pin



Spring assist with torsion springs (single version)



Spring assist with Disc-Springs (single version)



Spring assist with Gas-Spring (single version)

Article No.	Description	Price in EUR
2028	Spring assist with torsion springs (single version)	
2028 d	Spring assist with torsion springs (double version > NW 600)	
2028 Paket	Spare-Springs for spring assist with torsion springs, thickness. t=4mm, 5mm, 6mm, 6,5mm, 7mm, package includes right and left version (for standard hinge)	
2028 V Paket	Spare-Springs for spring assist with torsion springs, thickness. t=4mm, 5mm, 6mm, 6,5mm, 7mm, package includes right and left version (for reinforced hinge)	
2030 h	Spring assist with Disc-Springs (horizontal, single version)	
2030 v	Spring assist with Disc-Springs (vertical, single version)	
2030 dh	Spring assist with Disc-Springs (horizontal, double version > NW 600)	
2030 dv	Spring assist with Disc-Springs (vertical, double version > NW 600)	
2033 h	Spring assist with gas springs (horizontal, single version)	
2033 v	Spring assist with gas springs (vertical, single version)	
2033 dh	Spring assist with gas springs (horizontal, double version > NW 600)	
2033 dv	Spring assist with gas springs (vertical, double version > NW 600)	
2029	Locking Pin, with plastic knob	
2029 VA	Locking Pin, with stainless steel knob	

