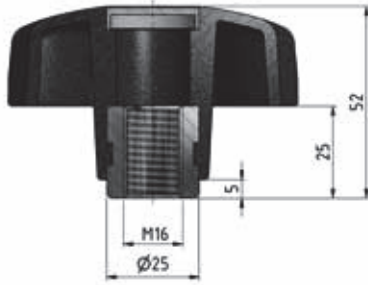
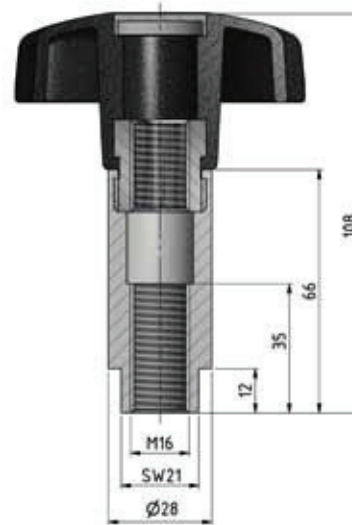


8.4 Nuts, bolts, handles, hinges ...

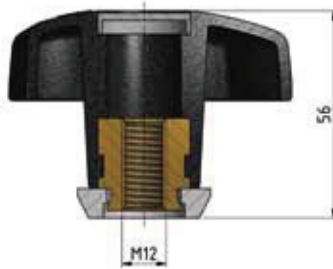
Plastic handles



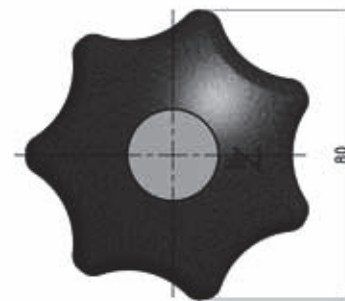
Plastic handle
Art. No. 2016



Plastic handle
Art. No. 2016L



Plastic handle
Art. No. 3016



Plastic handle (top view)

Article No.	Size	Description	Price in EUR
2016	M16	Plastic handle with stainless steel insert (1.4301) and grey plastic cap	
3016	M12	Plastic handle with brass insert, grey cap and knurl-washer	
2016RS	M16	Plastic handle with stainless steel insert (1.4301) and grey plastic cap and knurl-washer	
2016L	M16	Extended plastic handle, total length: 105mm, with stainless steel insert (1.4301), grey cap	
2016LRS	M16	Extended plastic handle, total length: 105mm, with stainless steel insert (1.4301), grey cap and knurl-washer	
2016SK21	M16	Plastic handle with stainless steel insert (1.4301) and grey plastic cap, with hex-head	
200	---	Extended plastic handle, total length: 105mm, with stainless steel insert (1.4301), grey cap and knurl-washer1	

Extra price per 10mm extention, for Article No. 2016L

zimmerlin
EDELSTAHL-TECHNIK

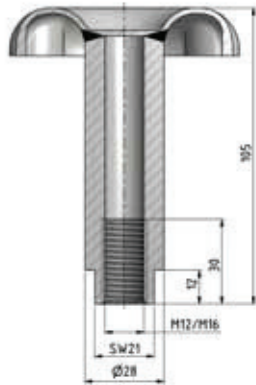


Zimmerlin GmbH
Edelstahl-Technik
Frohmatenstr. 19
D-79268 Bötzingen

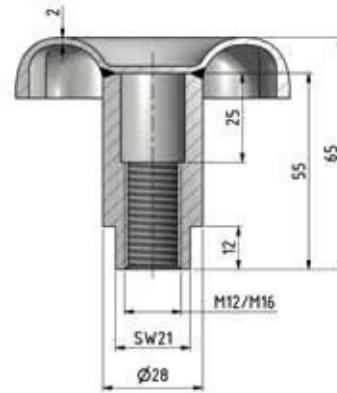
Tel. +49(0)7663-6088-0
Fax +49(0)7663-6088-88
info@zimmerlin.de
www.zimmerlin.de



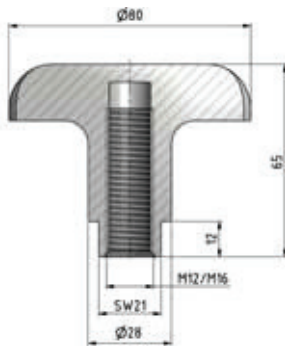
Stand: Juni 2015



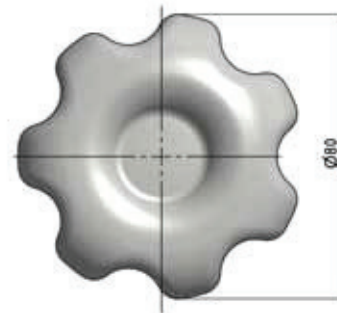
Stainless steel handle
Art. No. 2022L / 3022L



Stainless steel handle
Art. No. 2022/3022



Stainless steel handle
Art. No. 2022V / 3022V



Stainless steel handle (Top view)

Article No.	Size	Description	Price in EUR
3022	M12	Stainless steel handle (1.4301)	
2022	M16	Stainless steel handle (1.4301)	
3022A4	M12	Stainless steel handle (1.4571)	
2022A4	M16	Stainless steel handle (1.4571)	
3022-400	M12	Stainless steel handle (Monell 400 / 1.4301)	
2022-400	M16	Stainless steel handle (Monell 400 / 1.4301)	
3022L	M12	Extended stainless steel handle (1.4301), total length: 105mm	
2022L	M16	Extended stainless steel handle (1.4301), total length: 105mm	
3022LA4	M12	Extended stainless steel handle (1.4571), total length: 105mm	
2022LA4	M16	Extended stainless steel handle (1.4571), total length: 105mm	
3022V	M12	Stainless-steel handle, machined from round bar (1.4301)	
2022V	M16	Stainless-steel handle, machined from round bar (1.4301)	
3022VA4	M12	Stainless-steel handle, machined from round bar (1.4571)	
2022VA4	M16	Stainless-steel handle, machined from round bar (1.4571)	
		Extra price per 10mm extention, for Art. Nr. 3022L / 2022L	

Further implementations on request!

Extra price per 10mm extention, for Art. Nr. 3022LA4 / 2022LA4



Stand: Juni 2015

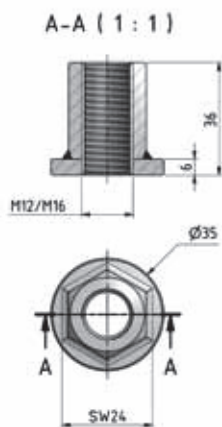
Tel. +49(0)7663-6088-0
Fax +49(0)7663-6088-88
info@zimmerlin.de
www.zimmerlin.de

Zimmerlin GmbH
Edelstahl-Technik
Frohmatenstr. 19
D-79268 Bötzingen

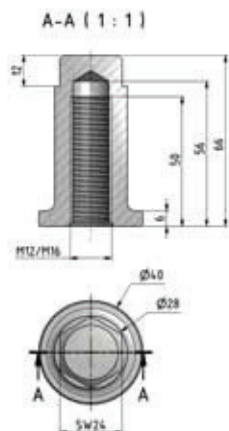


8.4 Nuts, bolts, handles, hinges ...

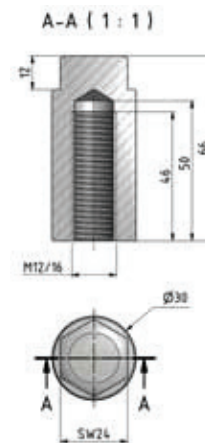
Collar nuts



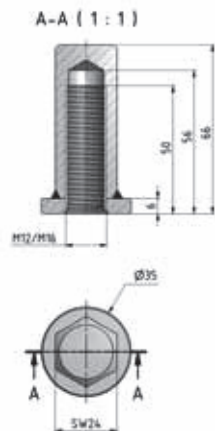
Collar nut M12/M16
Art. No. 2031



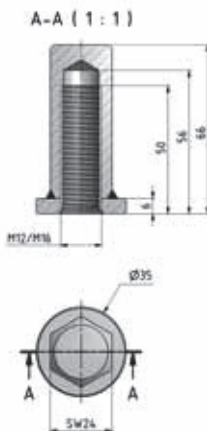
Collar nut M12/M16
Art. No. 2031-A4



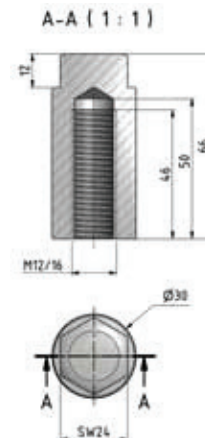
Collar nut M12/M16
Art. No. 2031-400



Collar nut M12/M16
Art. No. 2032



Collar nut M12/M16
Art. No. 2032-A4



Collar nut M12/M16
Art. No. 2032-400

Article No.	Size	Description	Price in EUR
2031	M12/M16	Collar nut (1.4301)	
2031-A4	M12/M16	Collar nut (1.4571 or 1.4404)	
2032	M12/M16	Collar nut with blind hole (1.4301)	
2032-A4	M12/M16	Collar nut with blind hole (1.4571 or 1.4404)	
2031-400	M12/M16	Collar nut (Monell 400)	
2032-400	M12/M16	Collar nut with blind hole (Monell 400)	

zimmerlin
EDELSTAHL-TECHNIK

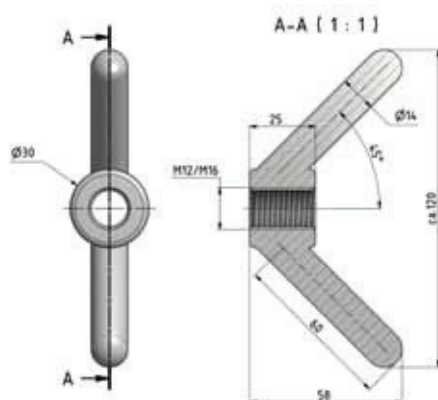


Zimmerlin GmbH
Edelstahl-Technik
Frohmattenstr. 19
D-79268 Bötzingen

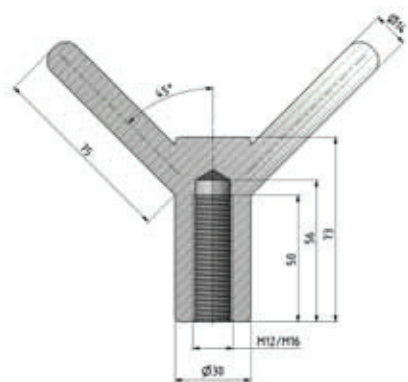
Tel. +49(0)7663-6088-0
Fax +49(0)7663-6088-88
info@zimmerlin.de
www.zimmerlin.de



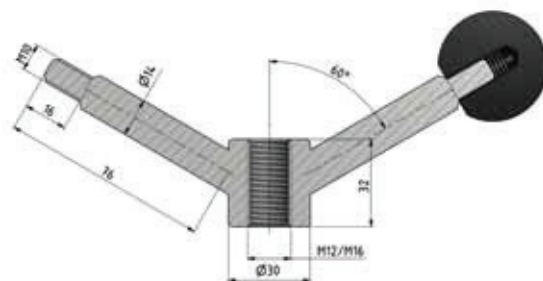
Stand: Juni 2015



V-toggle M12/M16
Art. No. 2023 / 2023-A4



V-toggle M12/M16
Art. No. 2023S / 2023S-A4



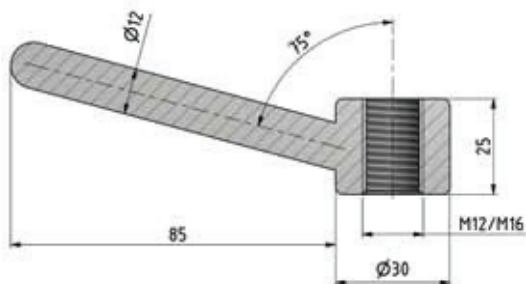
V-toggle M12/M16
Art. No. 2023K / 2023K-A4

Article No.	Size	Description	Price in EUR
2023	M12/M16	V-toggle (1.4301)	
2023-A4	M12/M16	V-toggle (1.4571 oder 1.4404)	
2023S	M12/M16	V-toggle with blind hole (1.4301)	
2023S-A4	M12/M16	V-toggle with blind hole (1.4571 oder 1.4404)	
2023K	M12/M16	V-toggle (1.4301) with plastic-ball-handles (Duroplast PF)	
2023K-A4	M12/M16	V-toggle (1.4571 or 1.4404) with plastic-ball-handles (Duroplast PF)	

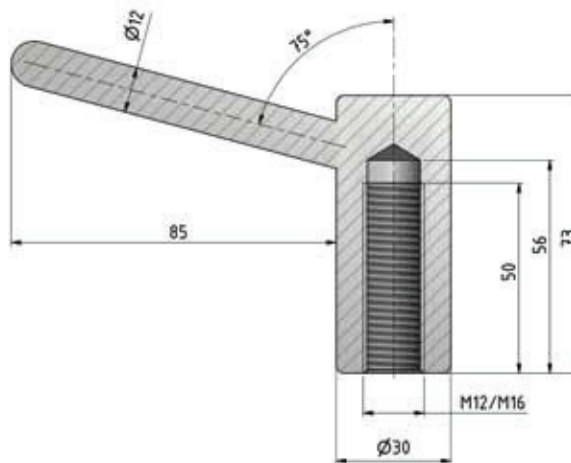


8.4 Nuts, bolts, handles, hinges ...

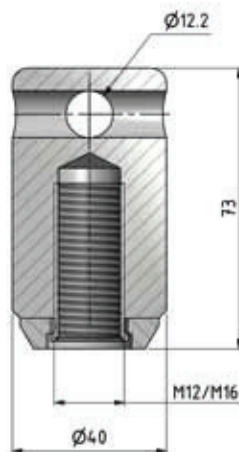
One Arm Toggle



One Arm Toggle M12/M16
Art. No. 2023E / 2023E-A4



One Arm Toggle M12/M16
Art. No. 2023ES / 2023ES-A4



Blind hole nut M12/16
Art. Nr. 2023/ 2024-A4

Article No.	Size	Description	Price in EUR
2023E	M12/M16	One Arm Toggle (1.4301)	
2023E-A4	M12/M16	One Arm Toggle (1.4571 or 1.4404)	
2023ES	M12/M16	One Arm Toggle with blind hole (1.4301)	
2023ES-A4	M12/M16	One Arm Toggle with blind hole (1.4571 or 1.4404)	
2024	M12/M16	Blind hole nut with washer (1.4301)	
2024-A4	M12/M16	Blind hole nut with washer (1.4571 or 1.4404)	

zimmerlin
EDELSTAHL-TECHNIK

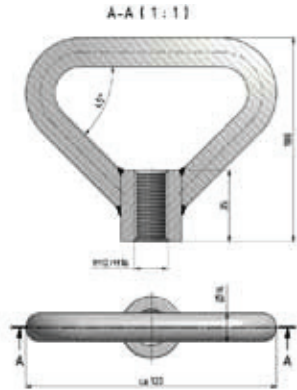


Zimmerlin GmbH
Edelstahl-Technik
Frohmatenstr. 19
D-79268 Bötzingen

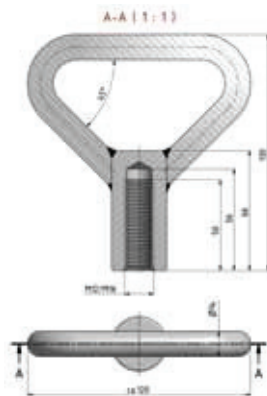
Tel. +49(0)7663-6088-0
Fax +49(0)7663-6088-88
info@zimmerlin.de
www.zimmerlin.de



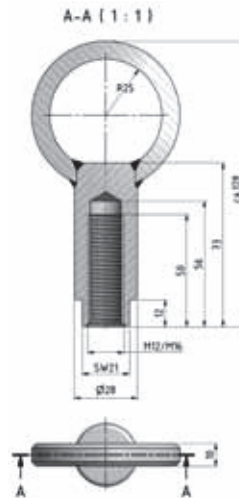
Stand: Juni 2015



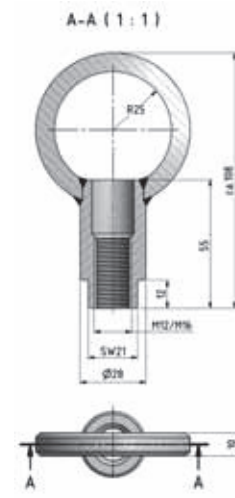
Triangle Nut with blind hole M12/M16
Art. No. 2023T / 2024T-A4



Triangle Nut with blind hole M12/M16
Art. No. 2023TS / 2024TS-A4



Ring nut M12/M16
Art. No. 2023RS / 2023RS-A4



Ring nut M12/M16
Art. No. 2023R / 2023R-A4

Article No.	Size	Description	Price in EUR
2023R	M12/M16	Ringnut (1.4301) with two flats SW24t	
2023R-A4	M12/M16	Ringnut (1.4571 or 1.4404) with two flats SW24	
2023RS	M12/M16	Ringnut with blind hole (1.4301) with two flats SW24	
2023RS-A4	M12/M16	Ringnut with blind hole (1.4571 or 1.4404) with two flats SW24	
2023T	M12/M16	Triangle Nut (1.4301)	
2023T-A4	M12/M16	Triangle Nut (1.4571 oder 1.4404)	
2023TS	M12/M16	Triangle Nut with blind hole (1.4301)	
2023TS-A4	M12/M16	Triangle Nut with blind hole (1.4571 or 1.4404)	
Extra price for the machining of two flats (SW24)			



Stand: Juni 2015

Tel. +49(0)7663-6088-0
Fax +49(0)7663-6088-88
info@zimmerlin.de
www.zimmerlin.de

Zimmerlin GmbH
Edelstahl-Technik
Frohmatenstr. 19
D-79268 Bötzingen

