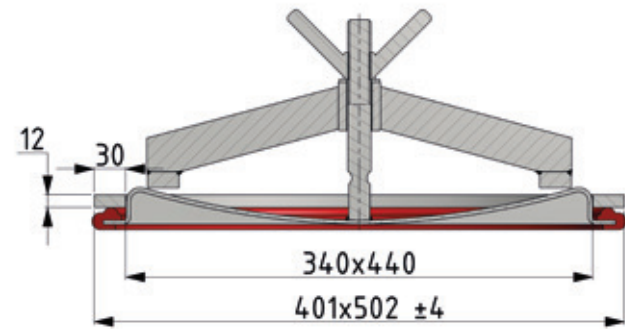
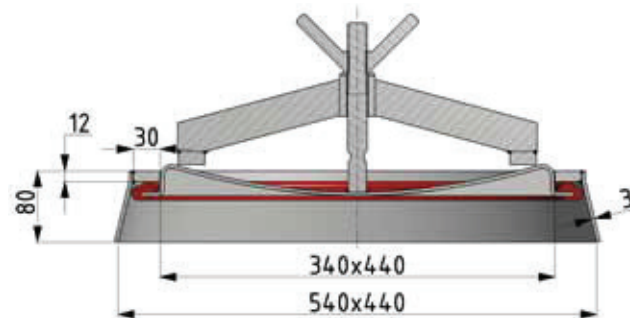


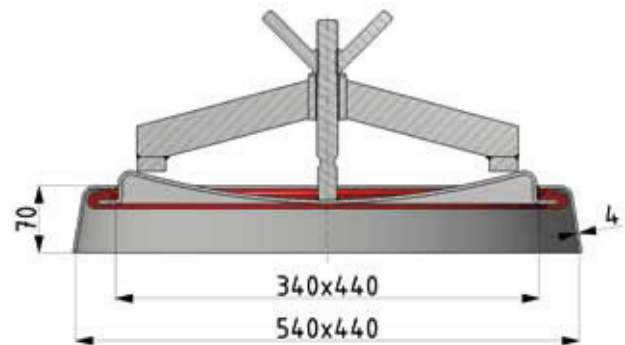
3.1 Manhole cover 340x440



picture 1

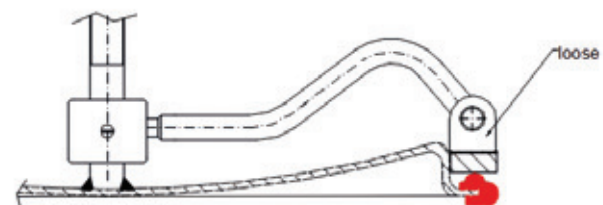


picture 2



picture 3

swivel-feature



picture 4

Standard design

- Wetted material: 1.4571 or 1.4404
Attachment parts from 1.4301
- Stainless steel toggle with brass insert
- Natural rubber gasket (dark red)
- Surface: unpolished, pickled

Options

- Wetted materials: 1.4435, 1.4539, 1.4462
- Various gasket qualities
- Various surface qualities (glass-bead blasted, pickled or polished up to $Ra < 0,4 \mu m$)
- Neck length up to 120 mm, neck thickness up to 6 mm
- With swivel-feature
- With various limit- or proximity-switches
- Neck shaped to match tank-diameter
- Optional with ASME-Approval Sec. VIII-1, latest Edition (additional surcharge, design-changes possible)



loose gaskets



vulcanized gasket

Gaskets

Article No.	Type of gasket	Temperature [°C]	Price in EUR loose	Price in EUR vulcanized
102 000	Natural rubber gasket, food quality (dark red) with FDA	70°C/-50°C		
102 0si	Silicone gasket, food quality (light red) with FDA	210°C/-60°C		
102 0ep	EPDM-gasket, food quality (purple) with FDA	125°C/-50°C		
102 0pe	Perbunan-(NBR)-gasket, food quality (red) with FDA	100°C/-30°C		
102 0vi	Viton gasket, food quality (brown) with FDA	240°C/-17°C		

zimmerlin
EDELSTAHL-TECHNIK



Zimmerlin GmbH
Edelstahl-Technik
Frohmannstr. 19
D-79268 Bötzingen

Tel. +49(0)7663-6088-0
Fax +49(0)7663-6088-88
info@zimmerlin.de
www.zimmerlin.de

Stand: Juni 2015



with EC-type-examination acc to PED 97/23/EC (4 bar/250° C; 5 bar/150° C; 6 bar/50° C, 8 bar/50° C)

Article No.	Description	Weight [kg]	Price in EUR
101 406	Manhole-Cover (4 mm thick), with welding ring, (30x12 mm) without swivel feature (picture 1) (for 6 bar / 50° C)	12,1	
101 606	Manhole-Cover (6 mm thick), with welding ring, (30x12 mm) without swivel feature (picture 1) (for 8 bar / 50° C)	14,9	
101 406K	Manhole-Cover (4 mm thick), with neck (3x80mm) without swivel feature (picture 1+4) (for 6 bar / 50° C)	15,4	
101 606K	Manhole-Cover (4 mm thick), with neck (5x80mm) without swivel feature (picture 2+4) (for 8 bar / 50° C)	19,5	
101 409	Manhole-Cover (4 mm thick), with welding ring (30x12 mm) with swivel feature (picture 1+4) (for 6 bar / 50° C)	13,4	
101 609	Manhole-Cover (4 mm stark), with welding ring (30x12 mm) with swivel feature (picture 1+4) (for 8 bar / 50° C)	15,6	
101 409K	Manhole-Cover (4 mm thick), with neck (3x80mm) (3x80 mm) with swivel feature (picture 2+4) (for 6 bar / 50° C)	16,6	
101 609K	Manhole-Cover (6 mm thick), with neck (5x80mm) with swivel feature (picture 2+4) (for 8 bar / 50° C)	20,2	

without EC-type-examination acc to PED 97/23/EC

Article No.	Description	Weight [kg]	Price in EUR
100 306	Manhole-Cover (3 mm thick), with welding ring (30x12 mm) without swivel feature (picture 1)	11,0	
100 306K	Manhole-Cover (3 mm thick), with neck (3x80 mm) without swivel feature (picture 2)	14,2	
100 306P	Manhole-Cover (3 mm thick), with neck (4x70 mm) without swivel feature (picture 3)	12,0	
100 309	Manhole Cover (3 mm thick), with welding ring (30x12 mm) with swivel feature (picture 1+4)	12,3	
100 309K	Manhole-Cover (3 mm thick), with neck (3x80 mm) with swivel feature (picture 2+4)	15,4	
100 309P	Manhole-Cover(3 mm thick), with neck (4x70 mm) with swivel feature (picture 3+4)	12,7	

Components

Article No.	Description	Weight [kg]	Price in EUR
101 300	Manhole Cover 340x440 mm with bolt	3 mm thick	4,5
101 400	Manhole Cover 340x440 mm with bolt	4 mm thick	5,5
101 600	Manhole Cover 340x440 mm with bolt	6 mm thick	7,5
103 022	Stainless steel toggle M22 with brass insert		0,7
104 340	Stainless steel shackle (340 x 440mm)		1,5
106 012	Stainless steel welding ring (30 x 12mm)		3,6
112 312	Stainless steel welding neck (ring 30x12mm, 80mm long)	3 mm thick	3,8
112 412	Stainless steel welding neck (ring 30x12mm, 80mm long)	4 mm thick	4,7
112 512	Stainless steel welding neck (ring 30x12mm, 80mm long)	5 mm thick	5,7
113 470	Stainless steel pressed neck (70mm long)	4 mm thick	3,2
107	Stainless steel swivel feature		1,2
101 722	tread bolt M22 x 170 mm with groove		0,5

