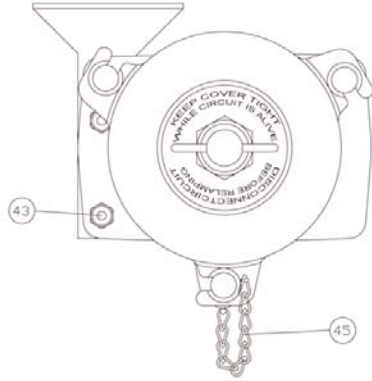


ARMORED LIQUID LEVEL GAUGES



ARCHON Ex Light

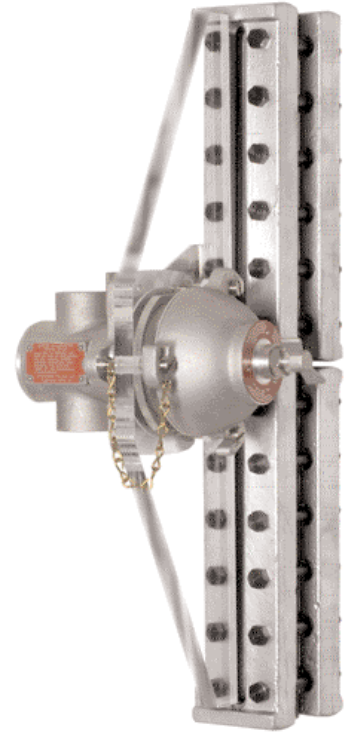
For Hazardous Areas

Model XPI-20 - UL Approved

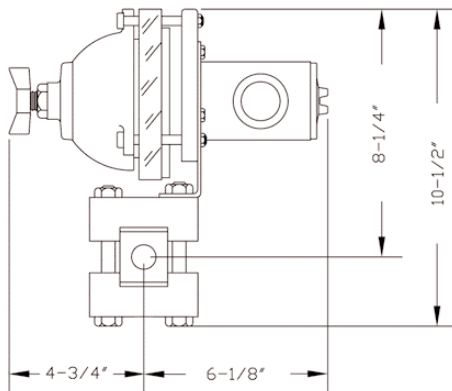
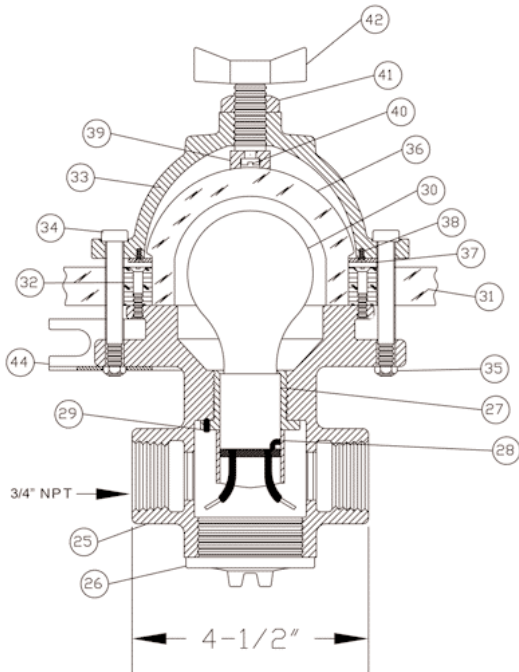
The ARCHON model XPI-20 distributes a uniform, bright light throughout the entire length of visible glass by means of a solid plastic wedge.

Lighting Fixtures for use in Hazardous Locations. Model XPI-20 Electric Gauge Illuminator for use in Hazardous Locations

**CLASS 1, GROUPS B, C, & D.
UL APPROVED**



sales@ARCHONind.com



PART NO.	PART NAME
25	Housing
26	Housing Cover
27	Lamp Socket
28	Socket Housing
29	Socket Housing LK Screw
30	Lamp 58W-120V
31	Plastic Reflector
32	Reflector Screw
33	Dome Cover
34	Dome Cover Screw
35	Elastic Stop Nut
36	Dome
37	Dome Retainer
38	Retainer Screw
39	Dome Cup Washer
40	Shoulder Screw
41	Jam Nut
42	Thumb Screw
43	Bracket Cap Screw
44	Bracket
45	Chain Assembly