

ARMORED LIQUID LEVEL GAUGES

Side Connected Installations Close Hook-up

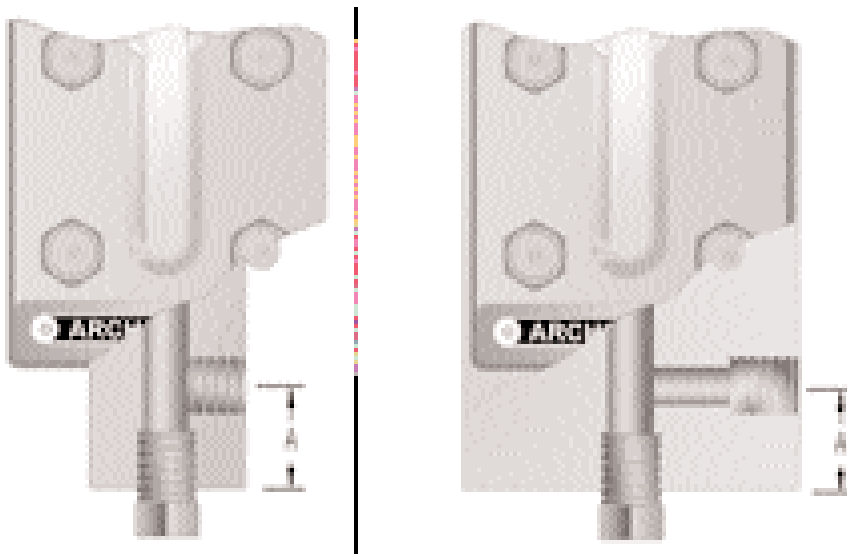
To obtain the maximum length of visibility within vessel centers, all ARCHON Reflex and Transparent gauges can be side-tapped. Mounting the gauge to the vessel can be achieved by choosing a style of flange, nipple or gauge cock most suitable to your application. Back connections are also available.

Standard centers for side connections are equal to the standard overall body length. Standard centers for back connections on transparent gauges are equal to the standard overall body length, and are 1-1/2" greater on the Transparent gauges.

Connections on all gauges are available in 1/2" or 3/4" NPT
(Please refer to the table on Page 9 for vessel center dimensions)



sales@ARCHONind.com



Size Connections

- 1/2" Side with 1/2" Top & Bottom
Dimension "A" = 1 1/8"
- 1/2" Side with 3/4" Top & Bottom
Dimension "A" = 1 1/2"
- 3/4" Side with 1/2" Top & Bottom
Dimension "A" = 1 1/2"
- 3/4" Side with 3/4" Top & Bottom
Dimension "A" = 1 3/4"

ARMORED LIQUID LEVEL GAUGES

END AND SIDE CONNECTED OPTIONAL ASSEMBLIES

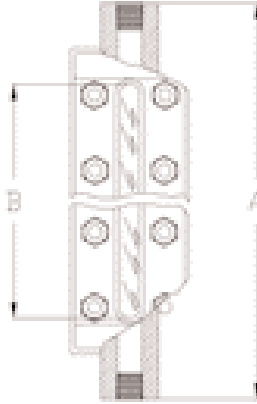


FIGURE NO. 1

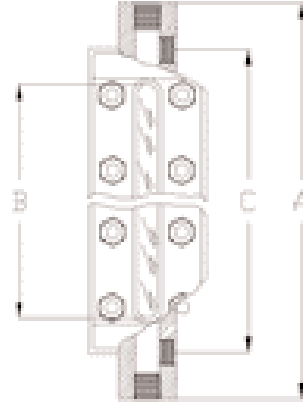


FIGURE NO. 2

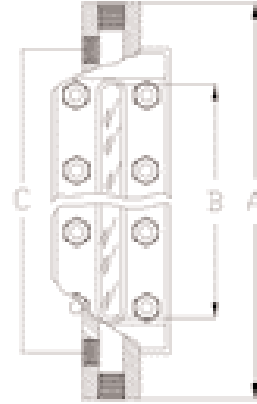


FIGURE NO. 2A

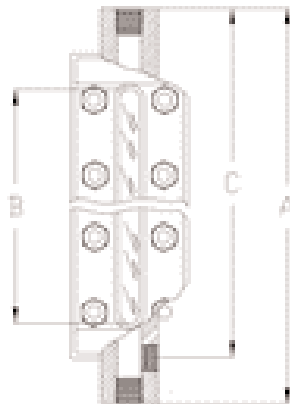


FIGURE NO. 3

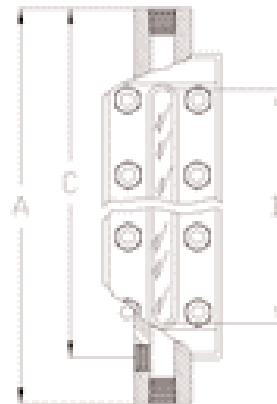


FIGURE NO. 3A

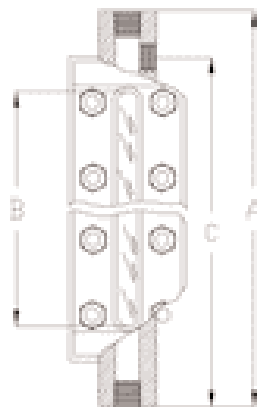


FIGURE NO. 4

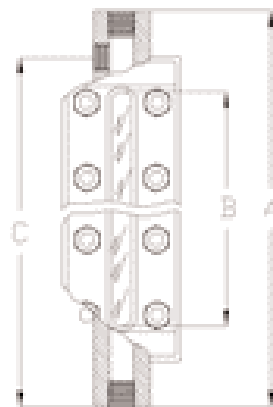


FIGURE NO. 4A

sales@ARCHONind.com