

ARMORED LIQUID LEVEL GAUGES

Reflex Model RH and Transparent Model TH

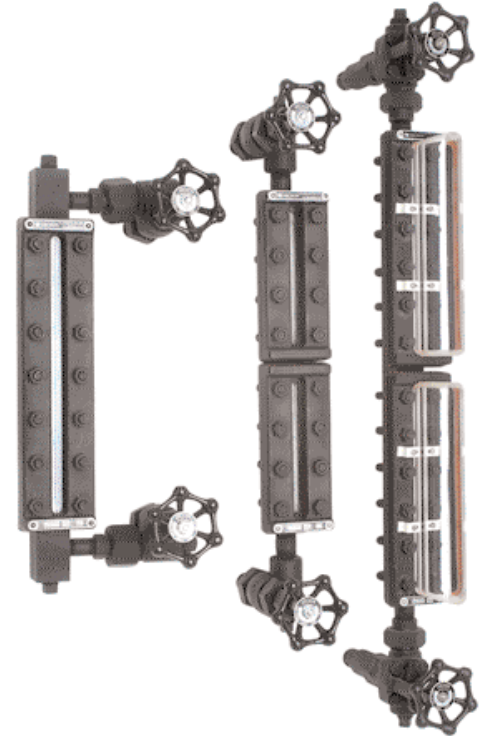
ARCHON models RH and TH are high pressure gauges and are available in both single and multiple section types 1 through 9 with a one-piece liquid chamber. They are machined from solid bar stock of cold rolled carbon steel, stress relieved and assembled complete with drop forged steel covers, tempered borosilicate glass, gaskets, bolts and nuts, making the gauges resistant to thermal shock, heat, corrosion and abrasion.

The liquid chamber is recessed to hold each individual gauge glass and gasket snugly, eliminating any possible movement by internal pressure.

All bolts are properly spaced to ensure uniform pressure on the glass and gaskets, and are manufactured from ASTM grade steel. The gaskets used are of the finest quality, uniform in thickness and accurately die-cut. Our standard gasket material is compressed non-asbestos, but can be interchanged with alternate material depending on the liquid being used.

Gauges are also available in Stainless Steel, Monel, or other alloys..

Please review the tables below for temperature and pressure ratings.



sales@ARCHONind.com

Pressure and Temperature Ratings: ARCHON Reflex Gauges Model RH						
Size Gauge	100°F	200°F	300°F	400°F	500°F	600°F
1 x 1	4000	3800	3600	3350	3100	2775
1 x 2	3850	3700	3500	3200	2950	2650
1 x 3	3700	3500	3300	3100	2850	2550
1 x 4	3600	3400	3250	3000	2750	2450
1 x 5	3450	3300	3100	2900	2650	2400
1 x 6	3300	3150	3000	2800	2550	2300
1 x 7	3200	3050	2900	2700	2450	2200
1 x 8	3100	2950	2800	2550	2350	2100
1 x 9	3000	2800	2650	2450	2250	2000

All Gauges Hydrostatic Tested: 1.5 times 100°F Rating

Pressure and Temperature Ratings: ARCHON Transparent Gauges Model TH						
Size Gauge	100°F	200°F	300°F	400°F	500°F	600°F
1 x 1	3000	2850	2750	2550	2300	2000
1 x 2	2850	2700	2550	2400	2200	1900
1 x 3	2700	2550	2400	2300	2100	1800
1 x 4	2550	2450	2300	2200	1950	1750
1 x 5	2450	2300	2200	2100	1850	1700
1 x 6	2400	2250	2100	2000	1800	1600
1 x 7	2200	2100	1950	1850	1700	1500
1 x 8	2050	1950	1800	1700	1600	1400
1 x 9	2000	1900	1750	1650	1500	1300

All Gauges Hydrostatic Tested: 1.5 times 100°F Rating

Correction Factor Table-To be Applied to the 100% Ratings Listed Above

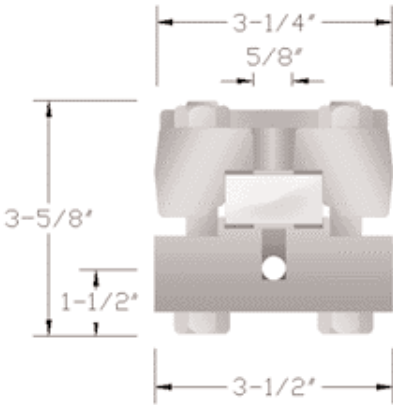
% of Rating	100%	75%	50%	25%
Chamber	Carbon Steel, 304SS and 316SS	Monel		
Gasket Material Liquid Side	Teflon Lo-Flo, Non-Asbestos		Pure Teflon, Kel-F Shields	
Gasket Material Liquid & Cover Side	Non-Asbestos		Teflon Lo-Flo	Pure Teflon
Optional Features	Non-Frost Extensions (Max. Temp. 100°F)			

ARMORED LIQUID LEVEL GAUGES

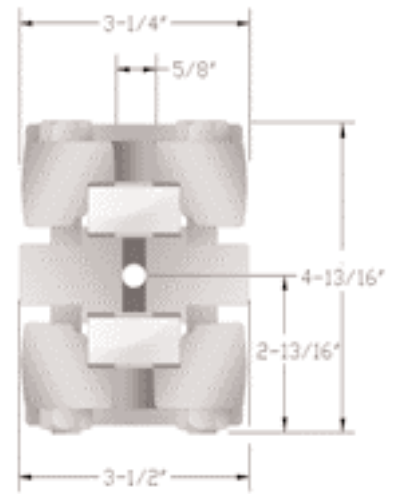
REFLEX GAUGES - This gauge type is equipped with flat reflex glass comprised of reflecting prisms which cause the liquid inside to appear black in color. The space above appears silvery in direct contrast assuring a distinct reading of the liquid level.

TRANSPARENT GAUGES - This gauge type is equipped with two flat plain glass sections; one on either side of the liquid chamber. This allows light to pass through the gauge permitting clear observation of liquid level, color and clarity.

Plastic or MICA shields can be furnished when handling caustic substances, acids or media corrosive to glass.



Model RH Reflex

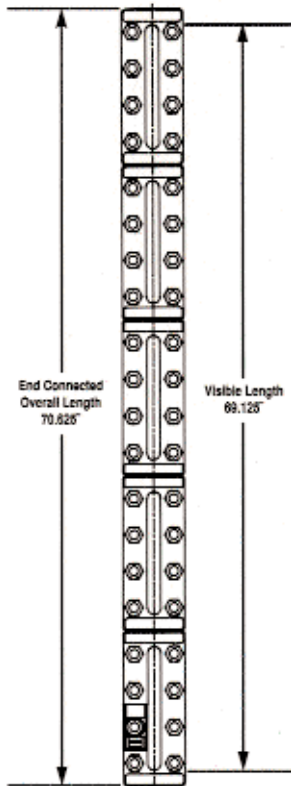


Model TH Transparent

Connection styles available:

1/2" or 3/4" NPT Female with end, side or back connections.

**5 Section Gauge
Size 9 Glass**



Sections	Glass Size	Visible Length		End Connected Overall Length	
		inch	mm	inch	mm
1	1	3.750	95	5.250	133
1	2	4.750	121	6.250	159
1	3	5.750	146	7.250	184
1	4	6.750	171	8.250	210
1	5	7.875	200	9.375	238
1	6	9.125	232	10.625	270
1	7	10.250	260	11.750	298
1	8	11.875	302	13.375	340
1	9	12.625	321	14.125	359
2	4	15.000	381	16.500	419
2	5	17.250	438	18.750	476
2	6	19.750	502	21.250	540
2	7	22.000	559	23.500	597
2	8	25.250	641	26.750	679
2	9	26.750	679	28.250	718
3	6	30.375	772	31.875	810
3	7	33.750	857	35.250	895
3	8	38.625	981	40.125	1019
3	9	40.875	1038	42.375	1076
4	7	45.500	1156	47.000	1194
4	8	52.000	1321	53.500	1359
4	9	55.000	1397	56.500	1435
5	7	57.250	1454	58.750	1492
5	8	65.375	1661	66.875	1699
5	9	69.125	1756	70.625	1794
6	8	78.750	2000	80.250	2038
6	9	83.250	2115	84.750	2153
7	8	92.125	2340	93.625	2378
7	9	97.375	2473	98.875	2511
8	8	105.500	2680	107.000	2718
8	9	111.500	2832	113.000	2870
9	8	118.875	3019	120.375	3058
9	9	125.625	3191	127.125	3229
10	8	132.250	3359	133.750	3397
10	9	139.750	3550	141.250	3588

sales@ARCHONind.com