

ARMORED LIQUID LEVEL GAUGES

FLANGED GAUGE ASSEMBLIES

Note: All Gauges and/or Gauge Cocks with Flanged Connections will be rated per ANSI B16.34 Flanged rating or Gauge rating, whichever is lower.

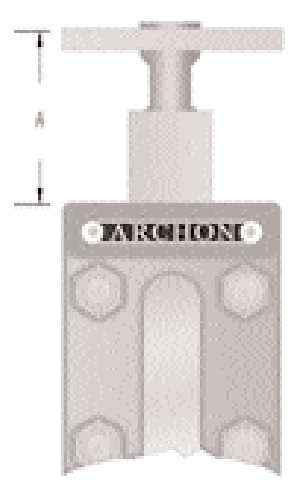
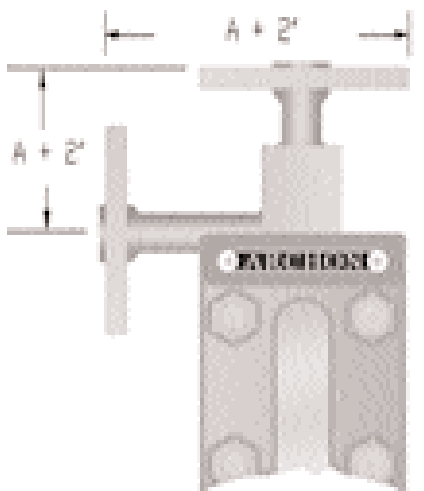
The Flanged Mounting arrangements described herein were drawn up to show possible configurations of our Reflex and Transparent Gauges. When specifying please indicate your preferred configuration by calling out the Style Number of the assembly, Size, Type, Pressure Rating of the flanges required and the "A", "C" and "D" dimensions. If you do not specify the Visibility "B" dimension desired we will provide maximum visibility according to the dimension given. Connections between the gauge and flanges can be furnished with or without welding.

FLANGE		A
Rating	Size	
150#	1/2"	1-7/8"
	3/4"	1-7/8"
	1"	2"
300#	1/2"	2"
	3/4"	2"
	1"	2-3/8"
600#	1/2"	2-1/4"
	3/4"	2-1/2"
	1"	2-5/8"
900# & 1500#	1/2"	3"
	3/4"	3-1/8"
	1"	3-1/2"



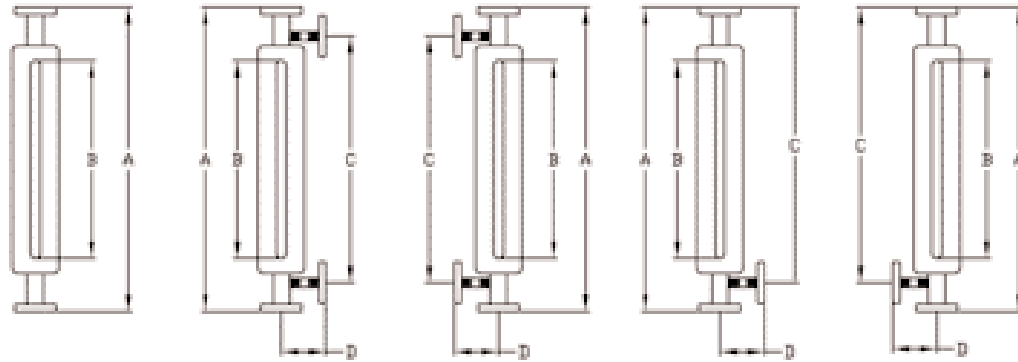
**Model RL
Flanged Assembly
Style No. 3FA**

sales@ARCHONind.com



ARMORED LIQUID LEVEL GAUGES

OPTIONAL FLANGED GAUGE ASSEMBLIES



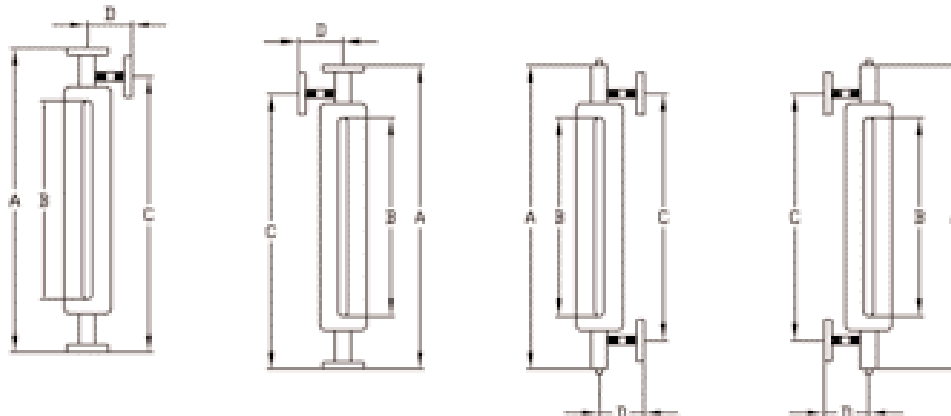
Style 1FA

Style 2FA

Style 3FA

Style 4FA

Style 5FA

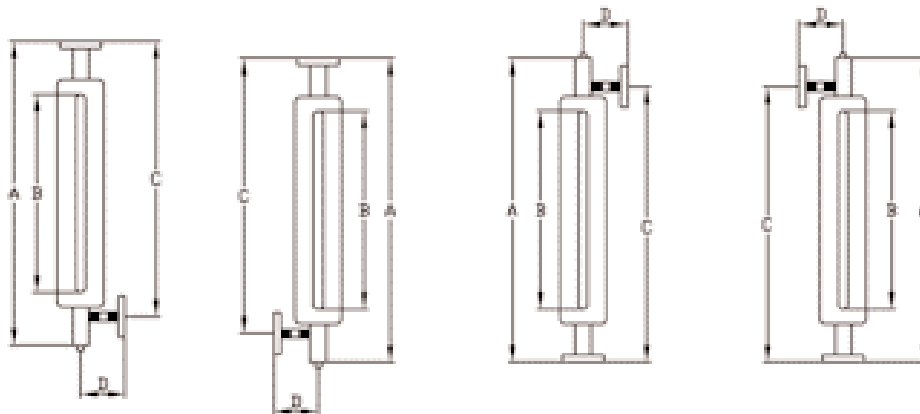


Style 6FA

Style 7FA

Style 8FA

Style 9FA



Style 10FA

Style 11FA

Style 12FA

Style 13FA

sales@ARCHONind.com