



ARCHON model HL-SS-TC Combination Light/Sightglass for Clamp-on Units

Section 2003
Bulletin 1001
Issued 01/08
Page 008

ARCHON model HL-SS-TC Light Sightglass

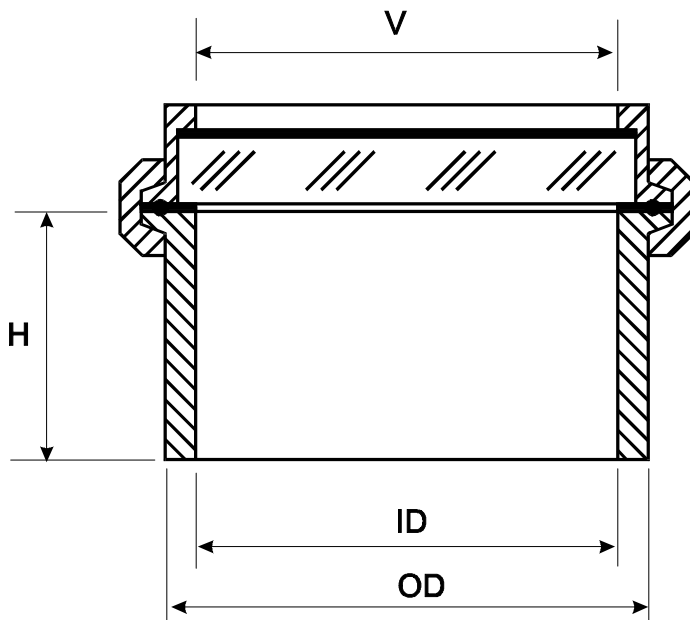
The model HL-SS-TC provides lighting and viewing in one clamp-on sightglass. The combination Lighting and viewing is available with the 4" and 3" size sightglass.

For larger sizes we offer our Lighting Unit model KA100 which mounts to the upper ferrule for combined lighting and viewing.

Size 1" to 2 1/2" are just too small for combined lighting and viewing.

Model HL80 Lighting Unit: 120V / 100W

Model KA100 Lighting Unit: 120V / 45, 60, 75W



| Model | Size | V | OD | ID | H |
|--------------|--------|---------|-------|-------|--------|
| SS/TC-1" | 1" | | 1.16" | 0.87" | 2 1/2" |
| SS/TC-1 1/2" | 1 1/2" | 1 1/8" | 1.68" | 1.37" | 1 1/4" |
| SS/TC-2" | 2" | 1 9/16" | 2.23" | 1.87" | 1 1/4" |
| SS/TC-2 1/2" | 2 1/2" | 2 1/16" | 2.77" | 2.37" | 1 3/4" |
| SS/TC-3" | 3" | 2 9/16" | 3.31" | 2.84" | 1 1/4" |
| SS/TC-4" | 4" | 3 9/16" | 4.35" | 3.84" | 1 1/4" |
| SS/TC-6" | 6" | 5 1/8" | 6.50" | 5.78" | 1 3/4" |
| SS/TC-8" | 8" | 7 5/16" | 8.63" | 7.78" | 2" |