

Thermostatically Controlled Mixing Station Model: HCMX-TC



sales@ARCHONind.com

The **Model HCMX-BR-TC** is a thermostatically controlled mixing valve assembly that delivers constant temperature water. It automatically compensates for fluctuations in either incoming hot and cold water temperature and/or pressure.

A liquid filled thermostat and a stainless steel control valve guard against unexpected hot or cold water spikes and proportion the water flow to maintain a constant outlet temperature +/- 3°F over the range of 80 to 160°F for up to 10 gallons per minute at a differential pressure of 40 psi, with a maximum hot water supply of 180°F.

Mixed water temperature is adjusted by turning a set-screw and is indicated on a dial thermometer. The housing is bronze and wetted parts are bronze, stainless steel, PTFE and buna rubber. The assembly includes an inlet shut-off valve and a check valve with 3/4" NPT union connection on both the hot and cold water legs.

The **HCMX-BR-TC** is available with the following optional components: SS wall mounting plate, SS hose rack, hand held spray nozzle, automatic shut-off spray lance, and a variety of hot water rated hoses.

Features:

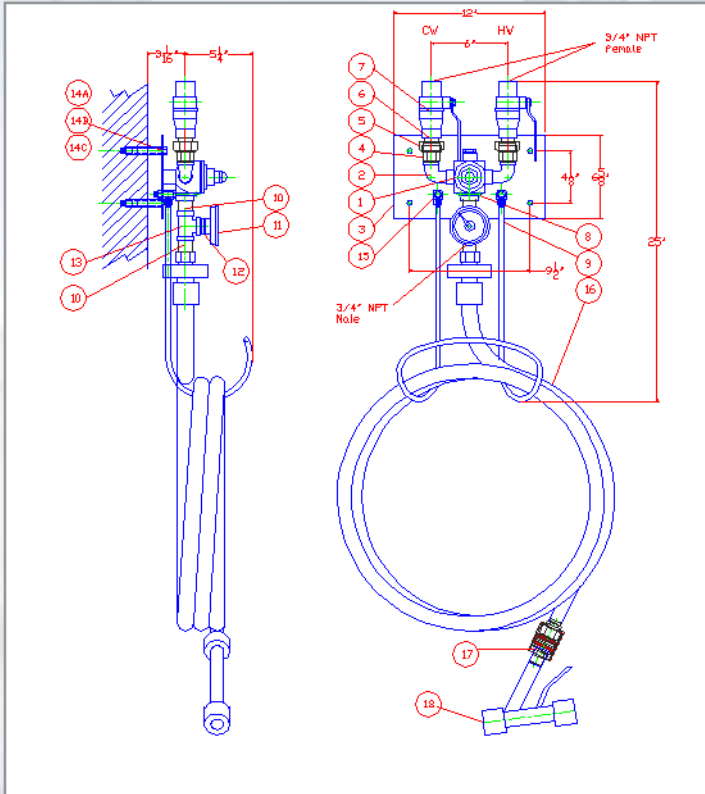
- Accurate control of temperature from 80°F/27°C to 160 °F/71°C
- Maintains temperature to + / - 3°F
- Maximum water temperature of 160°F/71°C
- Adjustable temperature limit stop for safety
- Self adjusts for temperature or pressure variations
- Maximum working pressure to 125 psi
- Color coded temperature dial
- Bronze body with replaceable corrosion-resistant components.
- The piston and liner are stainless steel
- Bronze and Stainless Steel Construction
- 3/4" High Flow Unit 10-12 gpm standard
- One Year Warranty

Thermostat:

Automatically responds to temperature and pressure variations in hot and cold water lines.

The stainless steel piston and liner precisely proportion water flow to maintain a constant outlet temperature and to guard against unexpected hot or cold water spikes.

Thermostatically Controlled Mixing Station Model: HCMX-TC



ITEM	QTY	DESCRIPTION
1	1	MIXING VALVE
2	2	ELBOW
3	1	MOUNTING PLATE
4	2	ADAPTER
5	2	UNION NUT
6	2	UNION MALE
7	2	BALL VALVE/CHECK VALVE 3/4" NPT
8	1	U-BOLT/NUTS
9	1	HOSE RACK
10	2	NIPPLE
11	1	TEMP INDICATOR
12	1	BUSHING
13	1	TEE
14A	4	BOLT, 3/8"
14B	4	SPACER
14C	4	WALL ANCHOR
15	2	BOLT SET
16	1	HOSE ASSEMBLY
17	1	QUICK CONNECT SWIVEL COUPLING ASSY.
18	1	SPRAY NOZZLE

sales@ARCHONind.com

Flow Capacities Single Stage (No Hose)

