



ARCHON model AKF-FTFZM Sight Flow Indicator

Section 2003
Bulletin 1001
Issued 01/08
Page 035

ARCHON model AKF-FTFZM Sight Flow Indicator

The model AKF-FTFZM is a Flanged, 300# Sight Flow Indicator, TEFZEL® lined with a cast body. TEFZEL® fluoropolymer resin is inert to strong mineral acids, inorganic bases, halogens and metal salt solutions. The material is ineffective with organic bases and very strong oxidizing acids near their boiling point. Consult the factory to obtain information about TEFZEL® chemical use/temperature guide.

TEFZEL® has excellent mechanical strength, stiffness, and abrasion resistance and an effective temperature range from -370°F(233°C) to 300°F(150°C).

Pressure and temperature ratings will depend on the materials of construction and sight flow indicator model selected.

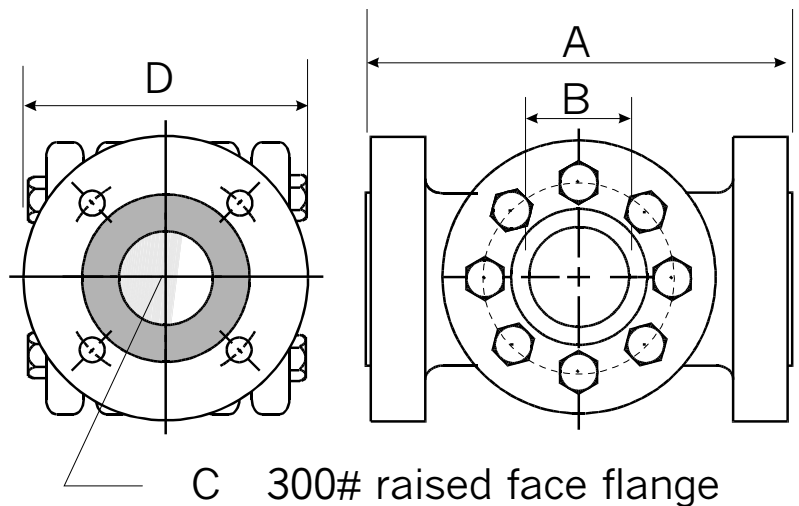
This sight flow indicator provides visual observation and monitoring of the process flow stream.

Available devices to enhance visibility include, drip tube, flapper and rotator. Bodies are available in Bronze, Iron, Steel and Stainless Steel. Special alloys are also available. Standard units are available in 150#, 300# and 600# ANSI ratings.

Model AKF-FTFZM designates a 300# series.

Features:

- ANSI flange rating, 150#, 300# and 600#
- Available with Drip Tube, Flapper and Rotator
- Dual Window units are available
- Standard Glass is Borosilicate
- Fused Glass Material is available



Model No.	Dimensions (in)			
	A	B	C -300# RF Flange	D
AKF-FTFZM-P- 1/2	5-7/8	1-1/4	1/2	4-1/8
AKF-FTFZM-P- 3/4	5-7/8	1-1/4	3/4	4-1/8
AKF-FTFZM-P- 1	6-7/8	1-3/8	1	4-7/8
AKF-FTFZM-P- 1-1/4	7-1/2	2	1-1/4	5-7/8
AKF-FTFZM-P- 1-1/2	7-1/2	2	1-1/2	5-7/8
AKF-FTFZM-P- 2	8-5/8	2-1/8	2	7-3/8
AKF-FTFZM-P- 2-1/2	11-3/8	3-3/16	2-1/2	9-5/8
AKF-FTFZM-P- 3	11-3/8	3-3/16	3	9-5/8
AKF-FTFZM-P- 4	13-1/4	4-1/4	4	11-1/2
AKF-FTFZM-P- 6	21-3/8	6-1/4	6	17
AKF-FTFZM-P- 8	22-3/8	6-1/4	8	17

Note: dimensions apply to:
 - Plain Model AKF-FTFZM-P
 - Drip-Tube Model AKF-FTFZM-D
 - Flapper Model AKF-FTFZM-F
 - Rotator Model AKF-FTFZM-R

(800) 554-1394

www.ARCHONind.com

ARCHON Industries, Inc.
 357 Spook Rock Road, Suffern NY 10901
 www.ARCHONind.com

fax: (845) 368-3040

sales@ARCHONind.com