



# ARCHON model AKF-FM Sight Flow Indicator

**Section** 2003  
**Bulletin** 1001  
**Issued** 01/08  
**Page** 031

## ARCHON model AKF-FM Sight Flow Indicator

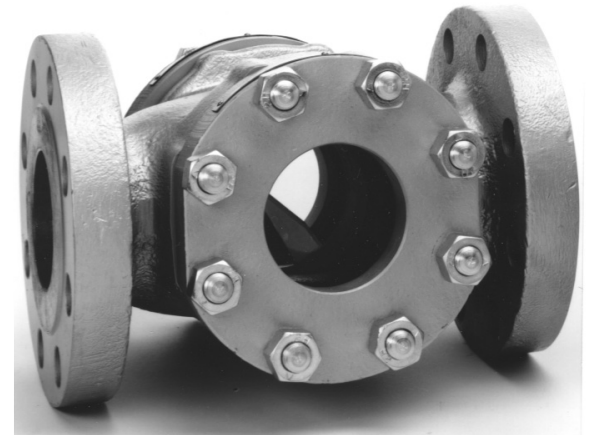
The model AKF-FM is a Flanged, 300# Sight Flow Indicator with a cast body.

This sight flow indicator provides visual observation and monitoring of the process flow stream.

Available devices to enhance visibility include, drip tube, flapper and rotator.

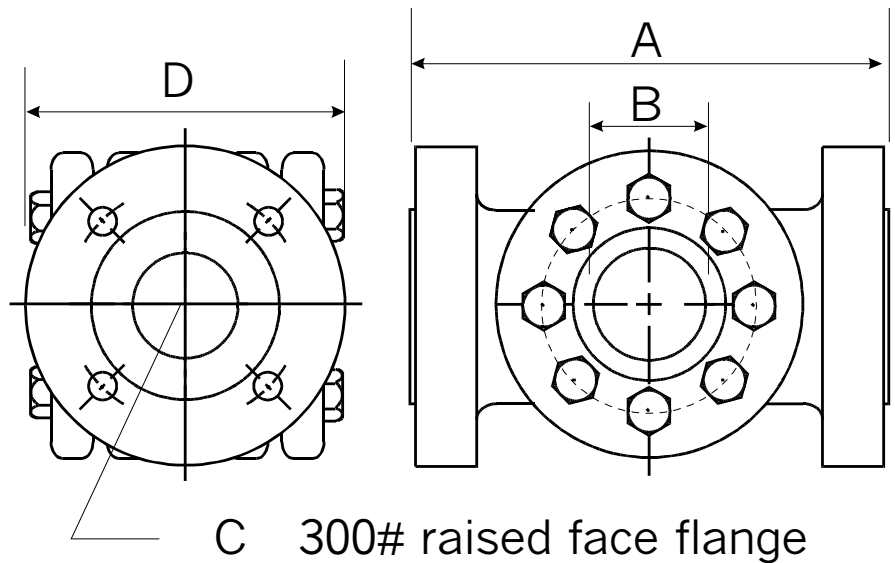
Bodies are available in Bronze, Iron, Steel and Stainless Steel. Special alloys are also available. Standard units are available in 150#, 300# and 600# ANSI ratings.

Model AKF-FM designates a 300# series



### Features:

- ANSI flange rating, 150#, 300# and 600#
- Available with Drip Tube, Flapper and Rotator
- Dual Window units are available
- Standard Glass is Borosilicate
- Fused Glass Material is available



Model No.	Dimensions (in)			
	A	B	C -300# RF Flange	D
AKF-FMP-1/2	5-7/8	1-1/4	1/2	4-1/8
AKF-FMP-3/4	5-7/8	1-1/4	3/4	4-1/8
AKF-FMP-1	6-7/8	1-3/8	1	4-7/8
AKF-FMP-1-1/4	7-1/2	2	1-1/4	5-7/8
AKF-FMP-1-1/2	7-1/2	2	1-1/2	5-7/8
AKF-FMP-2	8-5/8	2-1/8	2	7-3/8
AKF-FMP-2-1/2	11-3/8	3-3/16	2-1/2	9-5/8
AKF-FMP-3	11-3/8	3-3/16	3	9-5/8
AKF-FMP-4	13-1/4	4-1/4	4	11-1/2
AKF-FMP-6	21-3/8	6-1/4	6	17
AKF-FMP-8	22-3/8	6-1/4	8	17

**Note: dimensions apply to:**

- Plain Model AKF-FMP
- Drip-Tube Model AKF-FMD
- Flapper Model AKF-FMF
- Rotator Model AKF-FMR

(800) 554-1394

www.ARCHONind.com

**ARCHON Industries, Inc.**  
 357 Spook Rock Road, Suffern NY 10901  
 www.ARCHONind.com

fax: (845) 368-3040

sales@ARCHONind.com