



MODEL LUM350 – MINIATURE LED PROCESS LIGHT

Description:

The model LUM350 is a stainless steel, miniature, powerful LED lighting unit. It provides illumination for process tanks and vessels in a compact size to fit even in the smallest places. Highest quality components ensure that the LUM350 is a powerhouse in a small package. High-Power CREE® XP-G emitters provide 4000K light for optimal viewing in process vessels. UL listing ensures top safety compliance, and IP65 rating protects against dust ingress and water jet spray. The LUM350 is available with a bracket mount for universal mounting on sight glass housings, or with an adapter for mounting to a sanitary ferrule or DIN 11851 union connection. A momentary push-button switch is standard, and a hard-wired version is available without a switch.

Operating conditions:

The optional adapters contain a borosilicate sight glass, and are rated for 150 psig @ 300°F.

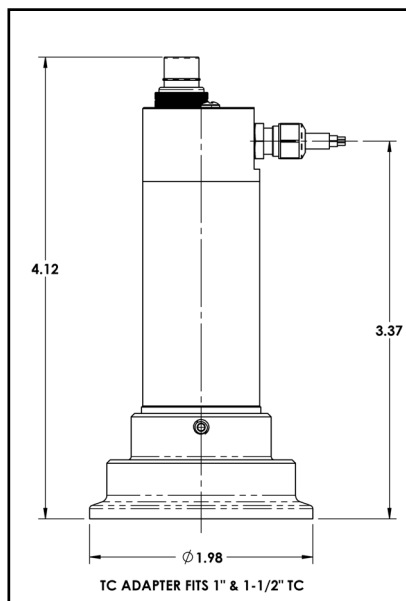
The optional bracket-mount model is attached to the exterior of a sight glass and does not affect the operating conditions of the vessel.



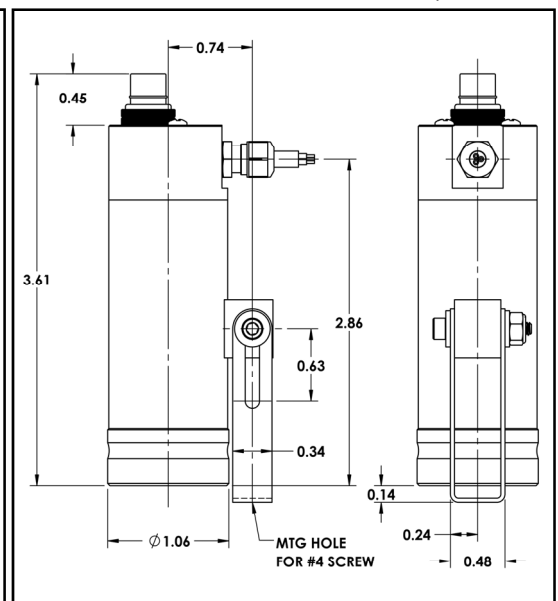
Shown with 1.5" TC adapter

Specifications:

- Supply voltage range: 10 - 26 VDC
- Color temperature: 4000K
- Light output: 350 Lumens
- Power consumption: 3.5 Watts
- IP 65 rated for dust and water jet protection
- UL listed
- Momentary push-button switch or hard-wired option
- 304 SS body
- Mounting options: Bracket mount with tilting hinge or sight glass adapter
- Supply cord: #24 3-Conductor

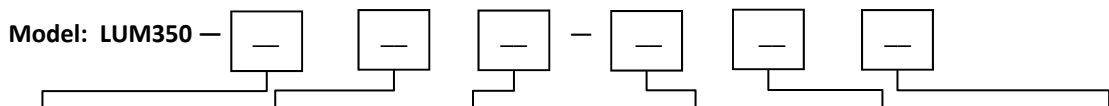


With 1.5" TC adapter, DN not shown.



With Bracket-Mount

Ordering Information:*



Connection Type:	Illumination:	Voltage:	Switch:	Cord Length:	Configuration:
B: Bracket-Mount	A: LED Module, 350mA	B: 10 - 26 VDC	M: Momentary	A: 5 FT	Blank: Standard
C: 1.5" TC Adapter			N: None	B: 10 FT	A—Z: Special
D: DN25 Adapter				C: 15 FT	
E: DN32 Adapter				D: 20 FT	
F: DN40 Adapter					

*Contact ARCHON for special configurations.