

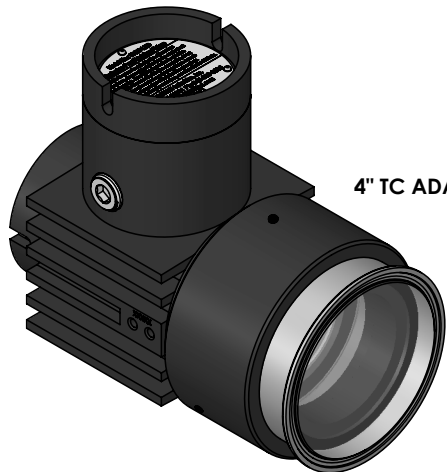
2

1

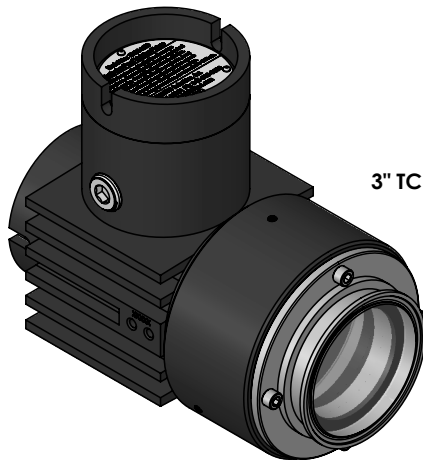
ARCHON P/N	SUPPLIED W/ADAPTER
EX99-LED06	2"
EX99-LED05	3"
EX99-LED04	4"

NOTE:
 ADAPTER ASSEMBLY IS SUPPLIED WITH EPDM CUSHION GASKET AND TEMPERED BOROSILICATE WINDOW. TRI-CLAMP GASKET AND CLAMP TO BE SUPPLIED BY CUSTOMER.

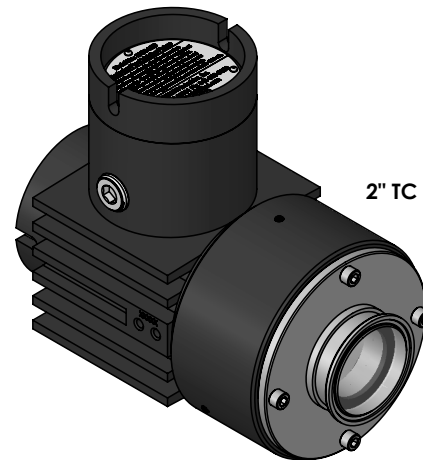
REVISIONS				
REV	DESCRIPTION	DATE	DRAWN	APPROVED
A	INITIAL RELEASE	08/14/19	J.CUSTY	



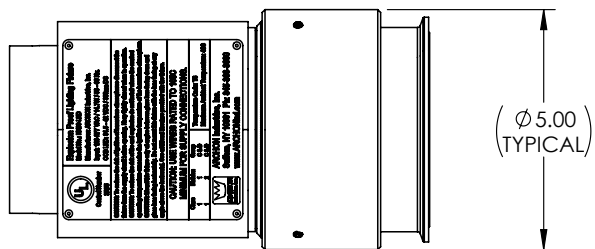
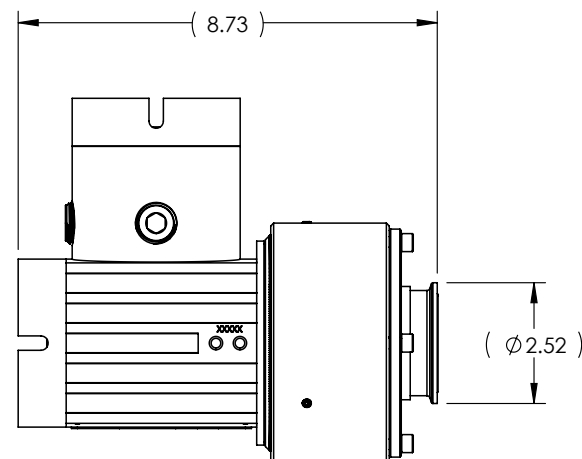
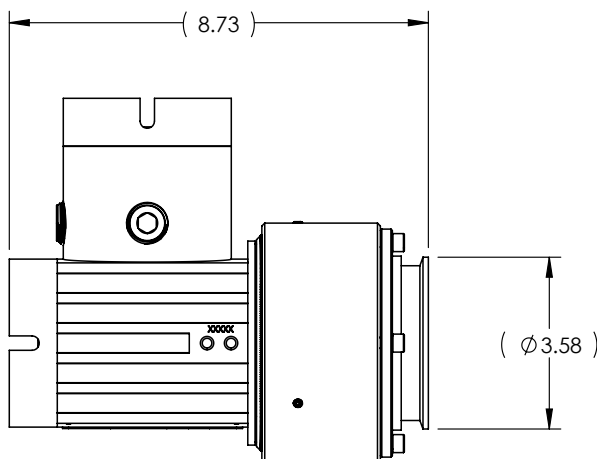
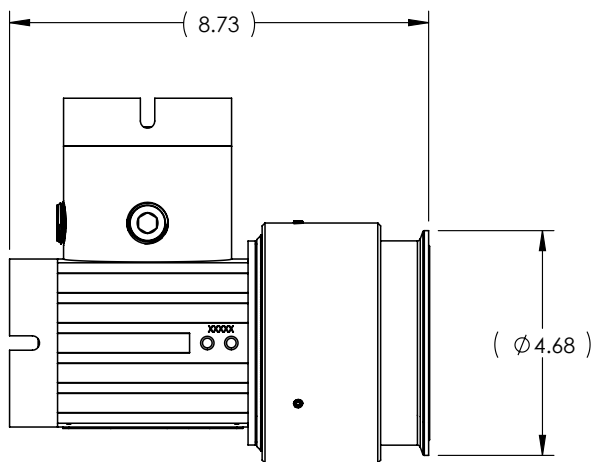
4" TC ADAPTER



3" TC ADAPTER



2" TC ADAPTER



UNLESS OTHERWISE SPECIFIED	DR	JPC	DATE	08/14/19
DIMENSIONS IN INCHES	CHKD		DATE	
DECIMALS	APVD		DATE	
X ± .030	APVD		DATE	
XX ± .015				
XXX ± .010				
FRACTIONS				
± 1/64				
ANGLES				
± .5				
REMOVE ALL BURRS AND BREAK SHARP EDGES .02 MAX	MATERIAL:			
SURFACE ROUGHNESS	FINISH:			
✓	WEIGHT: 10 LBS (APPROX.)			
DIMENSIONS AFTER PLATING OR COATING	DO NOT SCALE DRAWING			
THIRD ANGLE PROJECTION				

 ARCHON INDUSTRIES, INC.	357 SPOOK ROCK ROAD SUFFERN, NY 10901 (845) 368-3600 FAX (845) 368-3040		
	TITLE: LUMINAIRE EXPLOSION PROOF EX99-LED (TRI-CLAMP)		
SIZE: A	SCALE:	SHEET 1 OF 1	
DWG. NO. EX99-LED-ASM-TC		REV A	

2

1