



## MODEL RLGL - WELD PAD SIGHT GLASS

### Description:

Model RLGL sight glasses are designed for welding into ASME Code and non-code pressure vessels, piping or tank walls. They are available in various materials of construction, and are for use in vacuum and pressure applications. Custom designs are available for higher pressure ratings, special sizes, and cylindrical radiused weld pads.

Model RLGL sight glass materials conform to ASME Boiler & Pressure Vessel code. Special materials and higher alloys are available upon request.

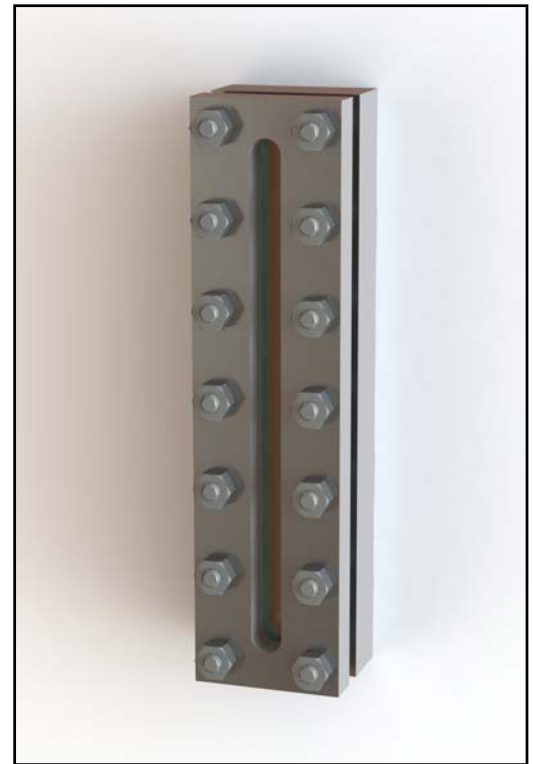
### Operating conditions:

Standard units are designed for full vacuum and up to 150 psig. Higher pressure ratings are available upon request. Temperature rating is limited by the gasket material and/or lens material.

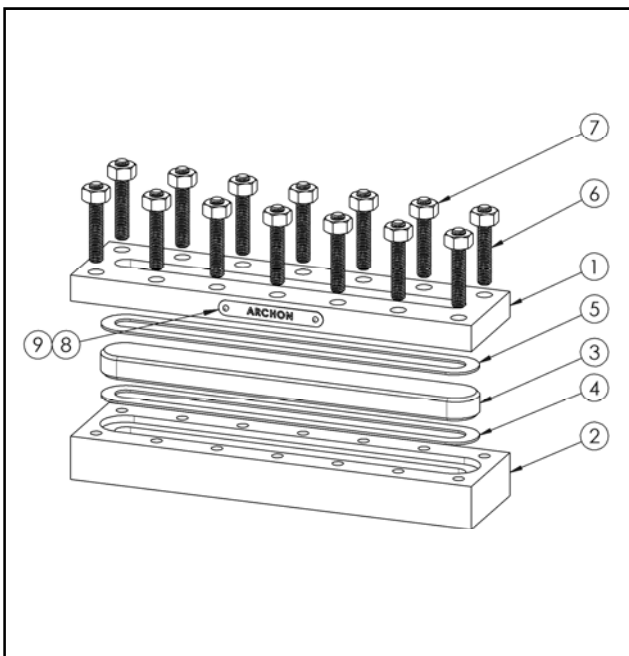
### Options and accessories:

RLG sight glasses can be supplied with the following options and accessories:

- Reflex lens: with refractive prisms for improved visibility of liquid level only.
- Transparent lens: to observe color, clarity and level of liquid. Also used to view the interface of two fluids.



ARCHON Model RLGL complete assembly shown.



ARCHON Model RLGL exploded view.

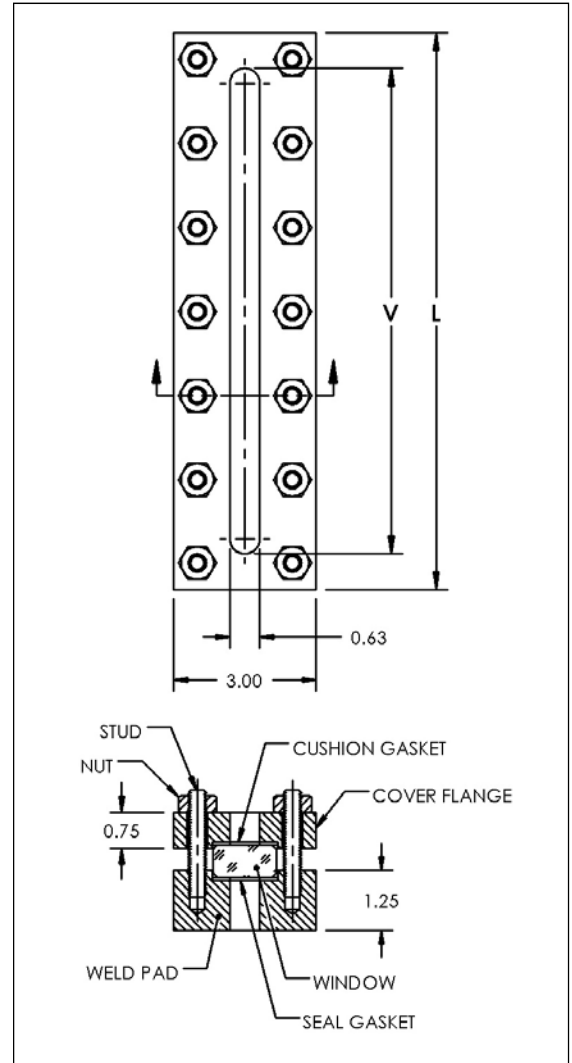
### Materials:

<u>Item:</u>	<u>Description:</u>	<u>Material specification:</u>
1	Cover Flange	304L, 316L, carbon steel, ASME SA material
2	Weld Pad	304L, 316L, carbon steel, ASME SA material
3	Lens	Tempered borosilicate, quartz, polycarbonate, acrylic
4	Seal Gasket	Non-asbestos, EPDM, nitrile, silicone, PTFE, Viton®, graphite
5	Cushion Gasket	Non-asbestos, PTFE, graphite
6	Stud	Stainless steel, alloy steel. ASME SA material
7	Hex nut	Stainless steel, alloy steel. ASME SA material
8, 9	Nameplate	Stainless steel



## MODEL RLGL - WELD PAD SIGHT GLASS

Size	Sections	Glass Size	"V"	"L"	Bolting
11	1	1	3-3/4"	5-1/4"	(6) x 3/8"
12	1	2	4-3/4"	6-1/4"	(8) x 3/8"
13	1	3	5-3/4"	7-1/4"	(8) x 3/8"
14	1	4	6-3/4"	8-1/4"	(10) x 3/8"
15	1	5	7-7/8"	9-3/8"	(10) x 3/8"
16	1	6	9-1/8"	10-5/8"	(12) x 3/8"
17	1	7	10-1/4"	11-3/4"	(14) x 3/8"
18	1	8	11-7/8"	13-3/8"	(16) x 3/8"
19	1	9	12-5/8"	14-1/8"	(16) x 3/8"
24	2	4	15"	16-1/2"	(20) x 3/8"
25	2	5	17-1/4"	18-3/4"	(20) x 3/8"
26	2	6	19-3/4"	21-1/4"	(24) x 3/8"
27	2	7	22"	23-1/2"	(28) x 3/8"
28	2	8	25-1/4"	26-3/4"	(32) x 3/8"
29	2	9	26-3/4"	28-1/4"	(32) x 3/8"
36	3	6	30-3/8"	31-7/8"	(36) x 3/8"
37	3	7	33-3/4"	35-1/4"	(42) x 3/8"
38	3	8	38-5/8"	40-1/8"	(48) x 3/8"
39	3	9	40-7/8"	42-3/8"	(48) x 3/8"
47	4	7	45-1/2"	47"	(56) x 3/8"
48	4	8	52"	53-1/2"	(64) x 3/8"
49	4	9	55"	56-1/2"	(64) x 3/8"
57	5	7	57-1/4"	58-3/4"	(70) x 3/8"
58	5	8	65-3/8"	66-7/8"	(80) x 3/8"
59	5	9	69-1/8"	70-5/8"	(80) x 3/8"



### Ordering Information:\*

Model: RLGL							
	— —	—	—	— —	—	—	—
<b>Size:</b>	<b>Cover:</b>	<b>Weld Pad:</b>	<b>Seal Gasket:</b>	<b>Lens:</b>	<b>Lens Type:</b>	<b>Accessories:</b>	<b>Configuration:</b>
See table above	A: Carbon Steel B: 304/304L SS C: 316/316L SS D: 317/317L SS E: 2205 Duplex G: AL6XN H: Alloy C22 J: Alloy C276 K: Alloy 20	A: Carbon Steel B: 304/304L SS C: 316/316L SS D: 317/317L SS E: 2205 Duplex G: AL6XN (6 Moly) H: Alloy C22 J: Alloy C276 K: Alloy 20	01: Non-asbestos 02: EPDM 03: Nitrile 06: Silicone 07: Expanded PTFE 09: Viton® 11: Graphite	A: Tempered Borosilicate B: Tempered Soda Lime C: Quartz D: Polycarbonate E: Acrylic	R: Reflex T: Transparent	Per order	Blank: Standard A—Z: Special

\*Contact ARCHON for additional material options, temperature ratings or special configurations.