



## MODEL WS - HIGH PRESSURE WIPER FOR SIGHT GLASS

### Description:

Model WS wipers may be used on ARCHON Model KB sight glasses to effectively clean the inside surface of the lens. Wipers are used to prevent crystallization and to keep the lens free of dust, dirt or powder buildup. Model W wipers are mounted with a pressure and vacuum tight gland through the cover and weld pad of the sight glass.

### Materials:

Mechanical parts: 316 SS  
 Blade: PTFE (standard). Silicone (optional)  
 Seals: PTFE

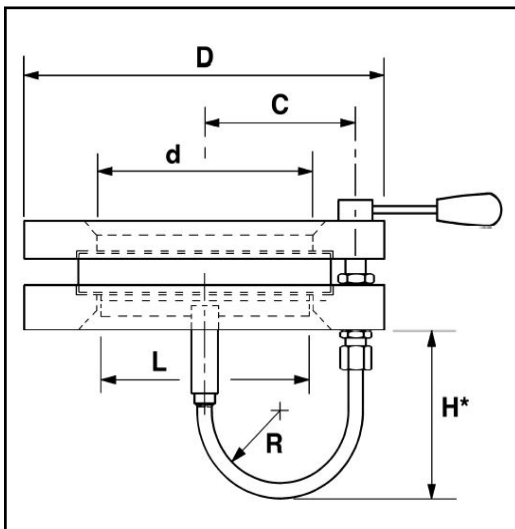
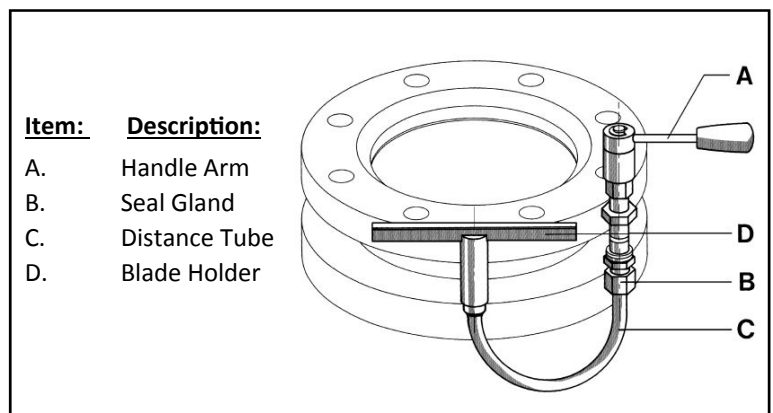
### Operating conditions:

Maximum internal pressure is 232 psig / Full vacuum, but may be limited by the sight glass rating. Maximum temperature is 200°C (392°F) with PTFE blades, and 180°C (356°F) with silicone.

### Options and accessories:

WS wipers are for use on model KB sight glass, size KB100 and larger.

They may be used in combination with lighting units, depending on the size and model of the sight glass.



| Type              | Label       | WS 100 | WS 125 | WS 150 | WS 200  |
|-------------------|-------------|--------|--------|--------|---------|
| Model KB          | KB          | 100    | 125    | 150    | 200     |
| View Diameter     | d           | 5"     | 6"     | 6.87"  | 8.81"   |
| OD of Sight glass | D           | 9"     | 10"    | 11"    | 13-1/2" |
| Mounting radius   | C (mm)      | 93     | 105    | 120    | 147.5   |
| Wiper dimension   | R (mm)      | 36.5   | 42.5   | 50     | 64      |
| Wiper dimension   | H* max (mm) | 105    | 110    | 120    | 130     |
| Blade length      | L (mm)      | 120    | 148    | 172    | 222     |