



MODEL W - WIPER FOR SIGHT GLASS

Description:

Model W wipers may be used on ARCHON sight glasses to effectively clean the inside surface of the lens. Wipers are used to prevent crystallization and to keep the lens free of dust, dirt or powder buildup. Model W wipers are mounted through a hole in the center of the sight glass lens.

Materials:

Mechanical parts: 316 SS (contact ARCHON for other options).

Blade: PTFE (standard). Silicone (optional)

Seals: Viton®

Operating conditions:

Maximum internal pressure is 2 to 6 barg (29 to 87 psig), depending on glass diameter. Vacuum values are available on request.

Maximum temperature is 200°C (392°F) with PTFE blades, and 180°C (356°F) with silicone.

Options and accessories:

W wipers are for use on all KB series, model SS, model SSTC sight glasses, and model AKF sight flow indicators.

They may be used in combination with lighting units, depending on the size and model of the sight glass.

Type designations:

W: Single blade, ratcheting handle

WD: Double blade, ratcheting handle

WDT: Double blade, T handle

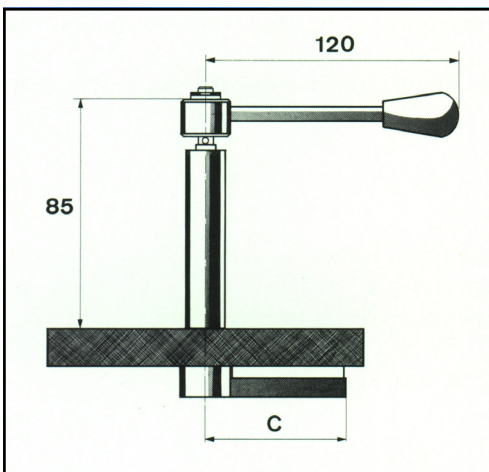
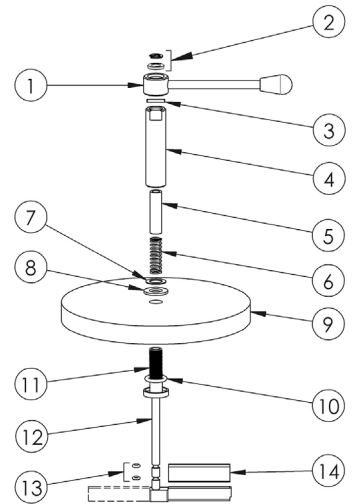
WR: Single blade, central knob

WDR: Double blade, central knob



Item: Description:

1. Handle Arm
2. Circlip
3. Fixation pin
4. Distance piece
5. Inner bushing
6. Tension spring
7. Spring Washer
8. Gasket
9. Glass disc
10. O-ring
11. Fixation bushing
12. Wiper blade holder
13. O-rings for holder
14. Wiper blade



Size	Free view (mm)	Length of blade (mm)	Thickness of lens (mm)	"C" (mm)	Max. Pressure (psig)
DN040	40	11	7.5	18	43.5
DN065	65	18	10	30	58
DN050	80	26	15	38	87
DN080	100	36	15	48	65
DN100	125	48	15	60	43.5
DN125	150	61	15	73	43.5
DN150	175	73	15	85	29
DN200	225	98	15	110	29