



MODEL KBWN - WELD NECK SIGHT GLASS

Description:

Model KBWN sight glasses are designed for process observation when welded into a process vessel or to the end of a pipe. They are widely used in the general processing industry for fabricated sight flow indicators made from pipe fittings. They are available in various materials of construction including carbon steel, stainless steel and nickel alloys, and are for use in vacuum and pressure applications.

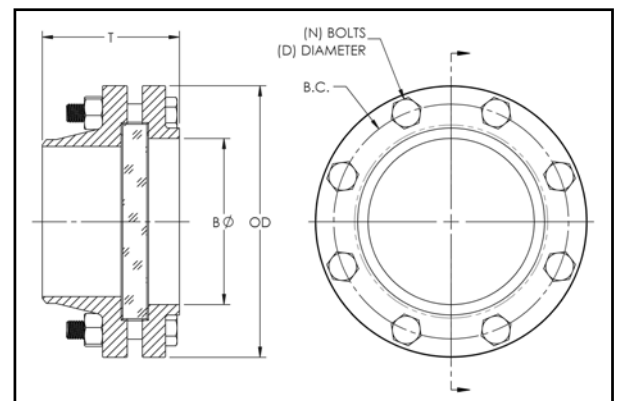
Operating conditions:

Standard units are designed for full vacuum and 150 psig. Temperature rating is limited by the gasket material and/or lens material.

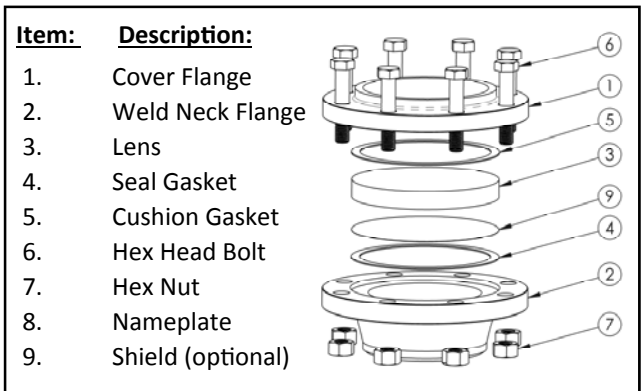
Options and accessories:

KBWN sight glasses can be supplied with the following options and accessories:

- Lighting units for hazardous or non-hazardous locations
- Low pressure wipers



Size	"OD"	"B"	"B.C."	"T"	Bolting (N) X D
1"	4-1/4"	1.36"	3-1/8"	3-1/8"	(4) x 1/2"
1.5"	5"	1.95"	3-7/8"	3-3/4"	(4) x 1/2"
2.0"	6"	2.44"	4-3/4"	3-7/8"	(4) x 5/8"
2.5"	7"	2.94"	5-1/2"	4"	(4) x 5/8"
3.0"	7-1/2"	3.57"	6"	4-1/4"	(4) x 5/8"
4.0"	9"	4.57"	7-1/2"	4-5/8"	(8) x 5/8"
5.0"	10"	5.66"	8-1/2"	5-1/4"	(8) x 3/4"
6.0"	11"	6.72"	9-1/2"	5-5/8"	(8) x 3/4"
8.0"	13-1/2"	8.72"	11-3/4"	6-1/2"	(8) x 3/4"
10.0"	16"	10.88"	14-1/4"	7"	(12) x 7/8"



Ordering Information:*

Model: KBWN						
Size:	Cover Flange:	Weld Neck Flange:	Seal Gasket:	Lens:	Accessories:	Configuration:
010: 1.0"	040: 4.0"	A: Carbon	01: Non-asbestos	A: Tempered	C: Low Pressure	Blank: Standard
015: 1.5"	050: 5.0"	Steel	07: Expanded	Borosilicate	Wiper	A—Z: Special
020: 2.0"	060: 6.0"	B: 304 SS	PTFE	B: Tempered	E: Light mounting	
025: 2.5"	080: 8.0"	C: 316 SS	11: Grafoil GHR	Soda-Lime		
030: 3.0"	100: 10.0"	E: Duplex 2205		C: Quartz		
		J: Alloy C276		E: Acrylic		

*Contact ARCHON for additional material options, temperature ratings or special configurations.