

LED sightglass light fittings completely in stainless steel for use in hazardous areas Series EdelEx d LED / PowerLED



Sightglass light fitting type EdelEx d PowerLED Sch K1, 7 W, 24 V AC/DC, Ex d op is IIC T6 Gb, Ex tb IIIC T80°C, IP 65/67, Ex II 2 G + D, mounted onto circular sightglass to DIN 28120, PN 10, DN 125.



Sightglass light fitting type EdelEx d LED R50 K1, 2 W, 24 V AC/DC, Ex d IIC T6 Gb, Ex t IIIC T80°C Db, IP65/67, Ex II 2 G + D, with intermediate flange collar fixation "R", mounted onto a screwed sightglass similar to DIN 11851, PN 6, DN 50.

Equipped with state-of-the-art LED technology, with an uncompromising design and the reputed MAX MÜLLER quality, the series EdelEx LED / PowerLED offer to the producers and users of all stainless steel process equipment the following important advantages:

For the purchasing department:

- **Highly competitive prices** due to value-engineered design and efficient manufacturing
- **Short lead times** due to large stock

For the design or plant engineer:

- **Supreme efficiency:** Light output of ~980 Lumen with power consumption of only 7 W (EdelEx d PowerLED)
- **Super-compact design** providing for **brilliant illumination**
- LED light source with **life span of up to 40'000 operating hours**
- **UV-free and cold** light output, avoiding undesired heat emissions to temperature sensitive media
- **Particularly designed for the powerful lighting out of stainless steel vessels, reactors, mixers, fermentors, containers and related process equipment in hazardous areas** in the pharmaceutical, bio-chemical, chemical, cosmetic and food processing industries
- For **sterile and "clean rooms" applications**
- Versatile design enabling the light fittings to be used as a combination "view and light through **one** assembly" or for use as a separate light fitting in a two port system, already from DN 50
- **Easy installation** due to 2 different fixation systems (tilting hinge "Sch" / "Sch 1" or flange collar "R") on:
 - Circular sightglasses to DIN 28120 / 28121 or similar
 - Screwed sightglasses similar to DIN 11851
 - Metal fused sightglasses
- Light fittings may be **installed in any position without restriction**
- ATEX equipment protection level (EPL): Gb (zones 1 and 2) and Db (zones 21 and 22)
- Admitted for ambient temperatures from - 20 °C to + 40 °C

Operating conditions:

Completely **independent** of internal vessel pressure and vacuum. There is **no restriction** on the mounting position of the light fitting.

Electrical data:

See overleaf.

Enclosure protection degree:

IP 65 / 67, dust tight and jetwater-proof as well as protected against the effects of temporary immersion to EN 60529 / DIN VDE 0470 part 1.

Construction and materials:

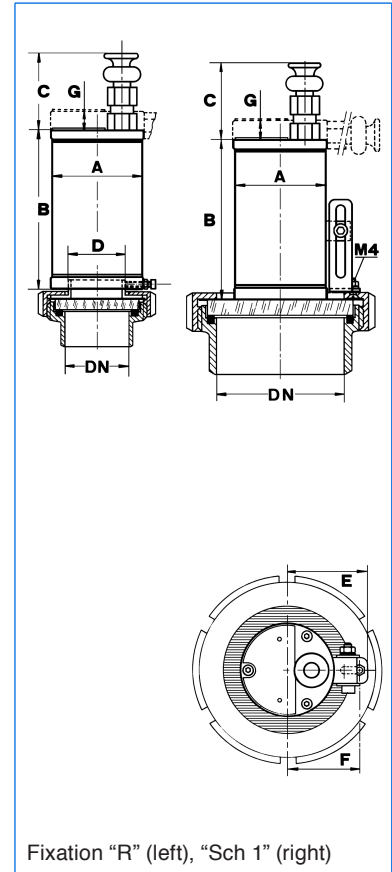
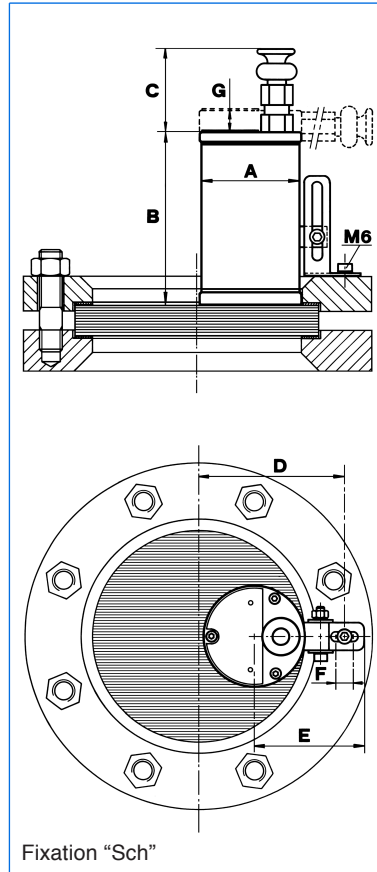
Housing, lensholderring, fixation elements and cover **in stainless steel**. Cable gland M16, in vertical position, type designation "K1", (standard delivery) or in horizontal position (designation "K2"). Connection terminals up to 2,5 mm². Additional earth terminal 4 mm² external to the housing. Built-in LED module. EdelEx d PowerLED available with concentrated ("spot" version; standard) or wide ("flood" version) beam of light, depending on your needs.

Type designation	EdelEx d LED	EdelEx d PowerLED
Nominal rating (W)	2	7
Terminal voltage (V)	24 V AC / DC	24 V AC / DC 230-240 V AC
Light source	LED	LED "flood" or "spot"
Weight ¹⁾ (kg)	1,65	2,10
Ignition protection type to EN 60079-0 / 60079-1 / 60079-28 / 60079-31	Ex d IIC Gb Ex t IIIC Db	Ex d op is IIC Gb Ex tb IIIC Db
Explosion groups	IIC / IIIC	
Temperature class G / D ²⁾	T6 / T80°C	
ATEX	Ex II 2 G + D	

¹⁾ The indicated weight only refers to the light fitting.
Weight of the fixations: "Sch / Sch 1": 0,06 kg, "R": 0,08 kg
²⁾ T_a = - 20°C / + 40°C

Mounting:

- On circular sightglasses to or similar to DIN 28120/28121:
DN 50 – DN 200: With tilting hinge "Sch"
- On screwed sightglasses similar to DIN 11851:
DN 50 / DN 65: With intermediate flange collar "R" in AISI 304 (DN size should be specified on ordering)
From DN 80: With tilting hinge "Sch 1" onto the grooved collar nut



Sightglasses to DIN 28120

DN	A	B	C	D	E	F	G
50	77	128	63	67	81	12	13
80	77	128	63	77	81	12	13
100	77	128	63	90	81	12	13
125	77	128	63	102	81	12	13
150	77	128	63	115	81	12	13
200	77	128	63	140	81	12	13

Sightglasses similar to DIN 11851

DN	A	B	C	D	E	F	G
50	77	128	63	44	59	–	13
65	77	128	63	44	59	–	13
80	77	128	63	–	59	47	13
100	77	128	63	–	59	57	13
125	77	128	63	–	59	69	13
150	77	128	63	–	59	82	13

Branch office / exclusive agent:

Do you wish for more information about our wide range of light fittings for use in hazardous and safe areas, about our range of circular sightglasses to DIN 28120/28121, screwed sightglasses similar to DIN 11851, rectangular or D-ended sightglasses, pipeline flow indicators, hinged sightglasses with or without illumination, centrally or sideways operated wipers, spraying devices, camera systems for hazardous areas or our complete sight and lightglass units VETROLUX®? Are you interested in other types, special versions or different protection degrees? If yes, please contact us, our branch office or our local agents – it is our business! You will find the necessary information on our sales network on the Internet.

All dimensions in mm.

Subject to changes without preliminary notice.



MAX MÜLLER AG

PROCESS ILLUMINATION AND VISUAL OBSERVATION SYSTEMS

Hagmattstrasse 19 • CH - 4123 Allschwil / Switzerland

Telephone +41 61 487 92 92 • Telefax +41 61 487 92 99

www.maxmuellerag.com E-Mail: blt@maxmuellerag.com