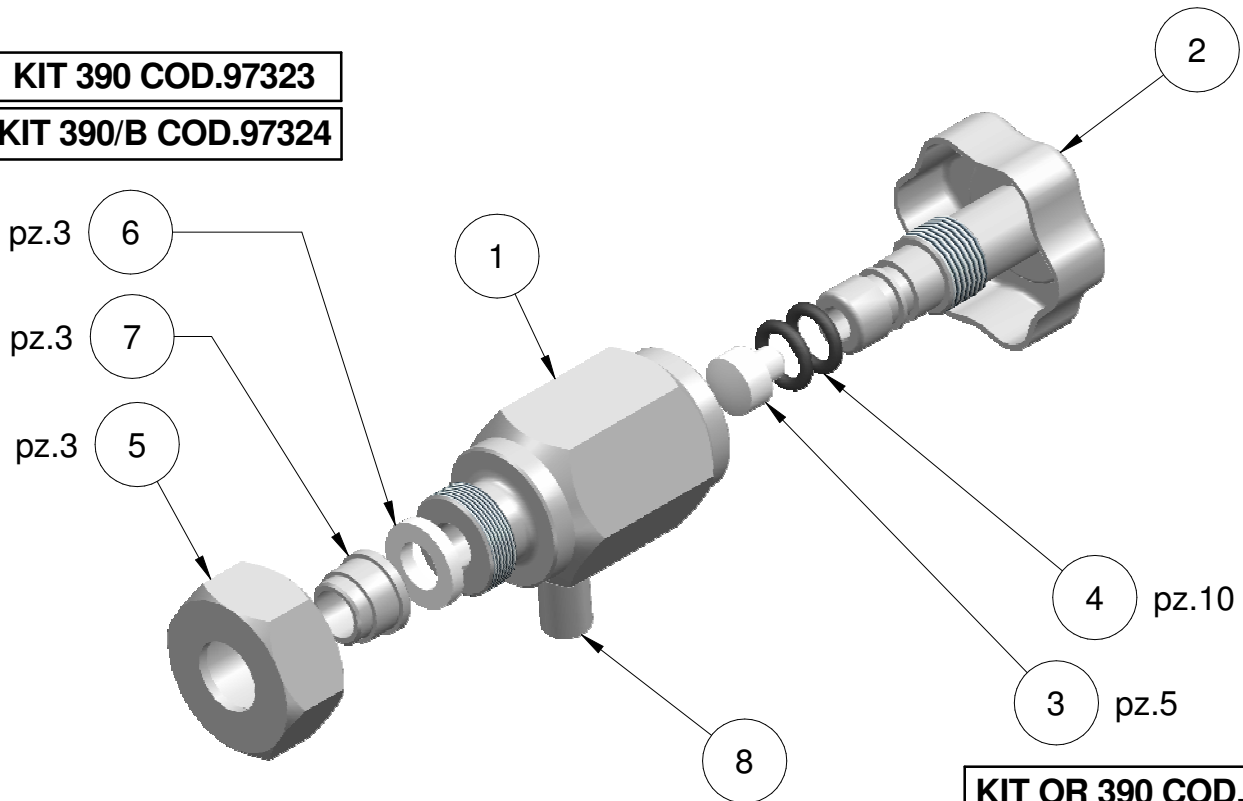




KIT 390 COD.97323
KIT 390/B COD.97324



KIT OR 390 COD.97329

COD. F8A030 (304L) - F8B030 (316L)			
Nr.	Article No.	Designation	Qty
1	8A002	BODY HEXAGON 390	1
2	8A031	SPINDLE WITH HANDLE	1
3	97079	PIN	1
4	97072	GASKET OR	2
5	8A050	NUT G3/8"	1
6	97065	GASKET §14	1
7	8A040	PIPE Ø7 L=11	1
8	8A022	PIPE	1