

2.3 Meta-Flange-Sightglass

up to 10/-1 bar

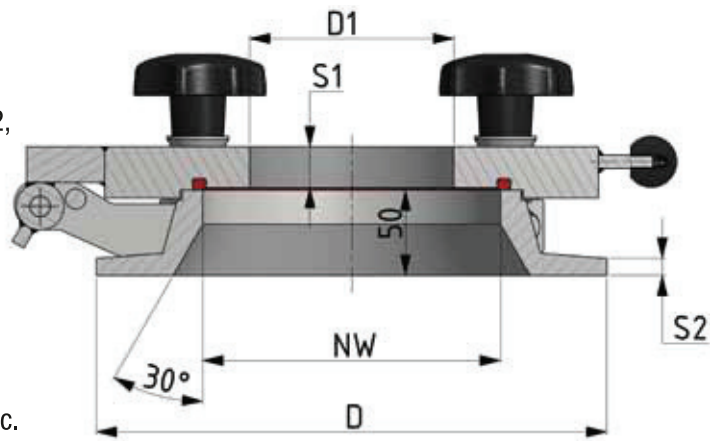
Standard design

- Wetted material: 1.4571 or 1.4404; Metaglass® from 1.4462 / Borosilicateglass DIN7080; attachment parts from 1.4301
- Plastic handles with stainless steel insert and brass washer
- Silicone gasket
- With hinge and handle with plastic knob
- Flange thickness: 50 mm
- Surface unpolished, glass-bead blasted
- With approval (Modul G) acc. PED 97/23/Ec
- Design Code: AD-2000-Merkblatt



Options

- Wetted materials: 1.4435 BN2, 1.4539, 1.4529, 1.4462, 1.4429, HC-22, HC-276, HC-2000, etc.
- Metaglass® from 2.4602 / Quarz- or Saphirglass
- Intermediate sizes
- Various gasket qualities
- Various surface qualities of the flange (glass-bead blasted, pickled or polished up to $Ra < 0,2 \mu m$)
- Various handles: Stainless steel handle, toggle, nuts, etc.
- Locking pin in open position
- Spring assists (torsion-, disc-, or gasspring)
- With various limit- or proximity-switches
- With safety-grill or safety-cross
- Attachment parts in other materials



- With wiper and/or light
- Various Design Codes: ASME VIII-1, EN13445, ...
- Optional with ASME-Approval Sec. VIII-1, latest Edition (additional surcharge, design-changes possible)

| Article No. | NW | MAWP [bar] | Working temperature [°C] | Number of screws M16 | Thickness of glass S1 [mm] | Thickness of flange S2 [mm] | Outside diameter D [mm] | Viewing D1 [mm] | Weight [kg] | Price in EUR |
|-----------------|------------|------------|--------------------------|----------------------|----------------------------|-----------------------------|-------------------------|-----------------|-------------|--------------|
| 221 000 FLANSCH | 100 | 10 | 280 | 4 | 24 | 10 | 225 | ø 70 | 15 | |
| 221 250 FLANSCH | 125 | 10 | 280 | 4 | 24 | 10 | 250 | ø 90 | 16 | |
| 221 500 FLANSCH | 150 | 10 | 280 | 4 | 24 | 10 | 275 | ø 110 | 17 | |
| 221 750 FLANSCH | 175 | 10 | 280 | 4 | 24 | 10 | 300 | ø 120 | 19 | |
| 222 000 FLANSCH | 200 | 10 | 280 | 6 | 24 | 10 | 325 | ø 130 | 21 | |
| 222 250 FLANSCH | 225 | 10 | 280 | 8 | 24 | 10 | 350 | ø 140 | 24 | |

Gaskets see chapter 9.1

zimmerlin
EDELSTAHL-TECHNIK



Zimmerlin GmbH
Edelstahl-Technik
Frohmatenstr. 19
D-79268 Bötzingen

Tel. +49(0)7663-6088-0
Fax +49(0)7663-6088-88
info@zimmerlin.de
www.zimmerlin.de



Stand: Juni 2015