

# ARMORED LIQUID LEVEL GAUGES

## GAUGE MEASURING SCALES

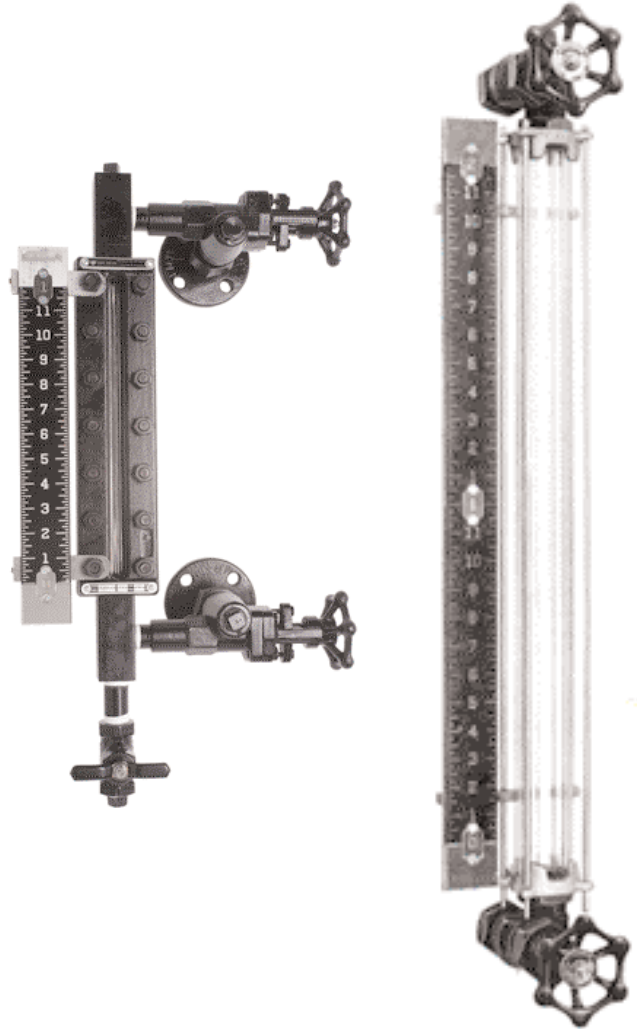
ARCHON's measuring scale, as shown here, is manufactured from zinc alloy and is 1/8" x 2" wide. Numerals and graduations are raised 1/32", are sharp edged and clean cut.

The scale is mounted on a 1/4" thick backing and furnished with adjustable brackets. Numerals and graduations are easily read with foot numeral inserts which are bright chrome plated for contrast.

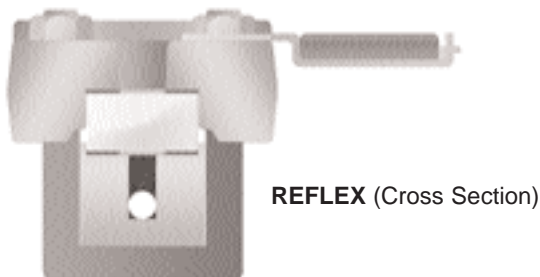
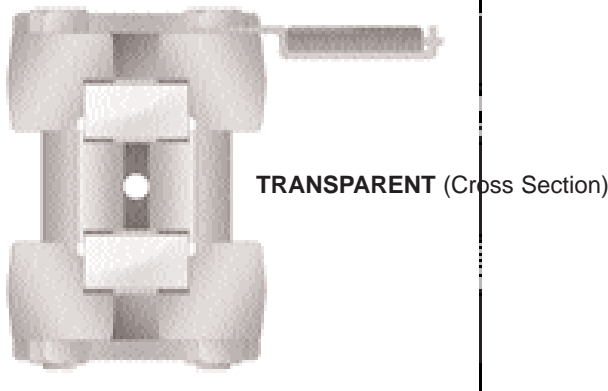
Scales are typically supplied from 0 to 11 in 1/8" increment graduations, but can also be supplied in the reverse style.

Alternate material choices are laminated plastic (Black on White or White on Black), Aluminum or Stainless Steel.

Scales are also available in metric measurements - centimeters and millimeters.



sales@ARCHONind.com



## Tubular Gauge with Guard Rods and Scales

Tubular gauges are also available with special bracket arrangements for use with ARCHON gauges using our Model SGP-18 Round Plastic Guards.