

# ARMORED LIQUID LEVEL GAUGES

## ARCHON series 900 - OFFSET, UNION BONNET GAUGE COCKS


**MODEL NO. 925**

ARCHON's series 900 gauge cocks have drop forged steel bodies with stainless steel trim, a threaded renewable seat, union bonnet and safety ball checks allowing the flow to automatically shut off, should the glass break. The ball may be omitted upon request. The 900 series gauge cocks are quick closing and are equipped with backseating stems to allow repacking while under pressure. This backs out the stem to its limit so the knob on the end of the stem seats against the sleeve which stops fluid from reaching the packing. Various connection styles are available to accommodate most pipe requirements.

The special offset feature was designed to allow easy cleaning of the inside of the gauge. The drain and vent connections are directly aligned with the gauge chamber and are offset 7/8" from the center line of the vessel connection. It is possible to clean the inside of an end connected gauge through the drain and vent connections without removing the gauge from service.

The union gauge connections make it possible to turn the gauge to any desired angle for the most convenient visibility. The union vessel connections provide access to the ball check. Gauge cocks are typically furnished with handwheel operation, but can also be supplied with a lever.


**MODEL NO. 905**

### PRESSURE RATINGS

4000 psig at 100°F or 1700 psig at 600°F.

Exception: Model 945 (stuffing box) 1000 psig at 100°F.

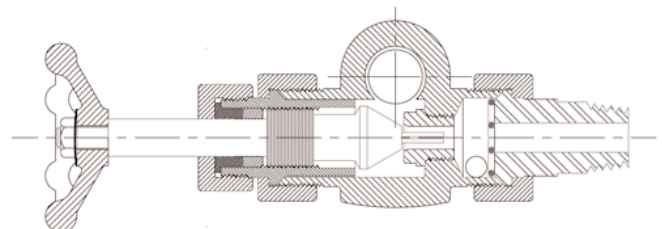
### STANDARD CONNECTIONS

**Gauge:** 1/2" NPT Female  
**Vessel:** 3/4" NPT Male  
**Drain/Vent:** 1/2" NPT Female

### OPTIONAL CONNECTIONS

**Gauge:** 3/4" NPT Female  
 1/2" or 3/4" NPT Male Union  
 1/2" or 3/4" NPT Female Union

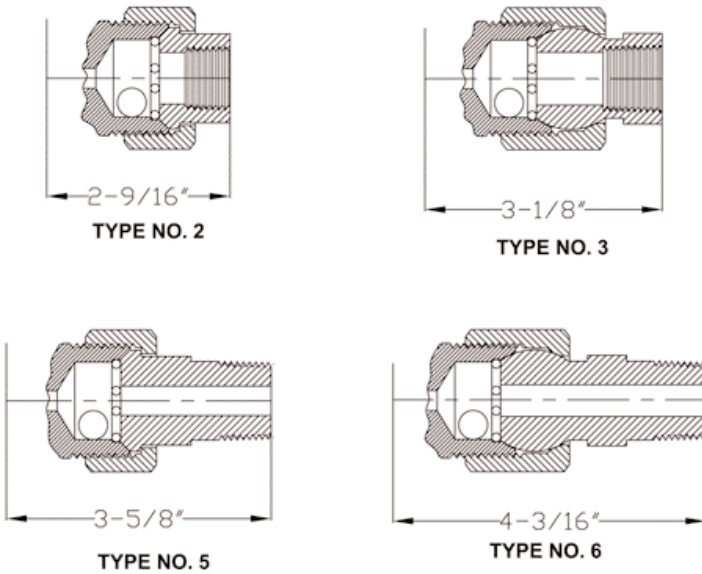
**Vessel:** 1/2" or 3/4" NPT Male Union  
 1/2" or 3/4" NPT Female Union


**900 SERIES**

sales@ARCHONind.com

# ARMORED LIQUID LEVEL GAUGES

## OPTIONAL CONNECTIONS TO VESSEL



Gauge Cock models 951 thru 966 are NOT recommended for END CONNECTED GAUGES.

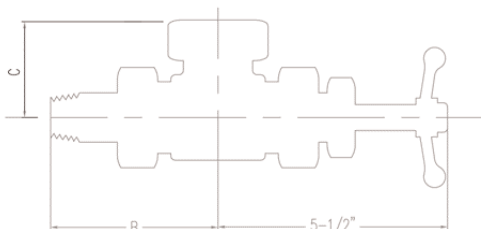
First Numeral: Indicates Type of Gauge Cock

Second Numeral: Indicates Type of Connection to Gauge

Third Numeral: Indicates Type of Connection to Vessel

### Types of Connections

- 0-Threaded Connection
- 1-Female Union Connections
- 2-Female Spherical Union Connections
- 3-Stuffing box Connections
- 4-Male Union Connections
- 5-Male Spherical Union Connections

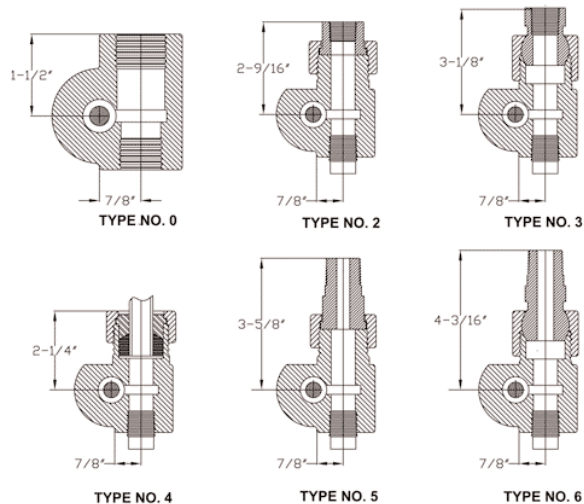


Dimension 'B': See Optional Connections to Vessel

Dimension 'C': See Optional Connections to Gauge

Model Number	Connections to Gauge	Connections to Vessel
902	1/2" or 3/4" NPT Female	1/2" or 3/4" NPT Female Union
903	1/2" or 3/4" NPT Female	1/2" NPT Female Spherical Union
905	1/2" or 3/4" NPT Female	1/2" or 3/4" NPT Male Union
906	1/2" or 3/4" NPT Female	1/2" or 3/4" NPT Male Spherical Union
921	1/2" or 3/4" NPT Female Union	1/2" or 3/4" NPT Male Non-Union Solid Shank
922	1/2" or 3/4" NPT Female Union	1/2" or 3/4" NPT Female Union
923	1/2" or 3/4" NPT Female Union	1/2" NPT Female Spherical Union
925	1/2" or 3/4" NPT Female Union	1/2" or 3/4" NPT Male Union
926	1/2" or 3/4" NPT Female Union	1/2" or 3/4" NPT Male Spherical Union
931	1/2" NPT Female Spherical Union	1/2" or 3/4" NPT Male Non-Union Solid Shank
932	1/2" NPT Female Spherical Union	1/2" or 3/4" NPT Female Union
933	1/2" NPT Female Spherical Union	1/2" NPT Female Spherical Union
935	1/2" NPT Female Spherical Union	1/2" or 3/4" NPT Male Union
936	1/2" NPT Female Spherical Union	1/2" or 3/4" NPT Male Spherical Union
945	1/2", 5/8", 3/4" Stuffing Box	1/2" or 3/4" NPT Male Union
951	1/2" or 3/4" NPT Male Union	1/2" or 3/4" NPT Male Non-Union Solid Shank
952	1/2" or 3/4" NPT Male Union	1/2" or 3/4" NPT Female Union
953	1/2" or 3/4" NPT Male Union	1/2" NPT Female Spherical Union
955	1/2" or 3/4" NPT Male Union	1/2" or 3/4" NPT Male Union
956	1/2" or 3/4" NPT Male Union	1/2" or 3/4" NPT Male Spherical Union
961	1/2" or 3/4" NPT Male Spherical Union	1/2" or 3/4" NPT Male Non-Union Solid Shank
962	1/2" or 3/4" NPT Male Spherical Union	1/2" or 3/4" NPT Female Union
963	1/2" or 3/4" NPT Male Spherical Union	1/2" NPT Female Spherical Union
965	1/2" or 3/4" NPT Male Spherical Union	1/2" or 3/4" NPT Male Union
966	1/2" or 3/4" NPT Male Spherical Union	1/2" or 3/4" NPT Male Spherical Union

## OPTIONAL CONNECTIONS TO GAUGE



sales@ARCHONind.com