

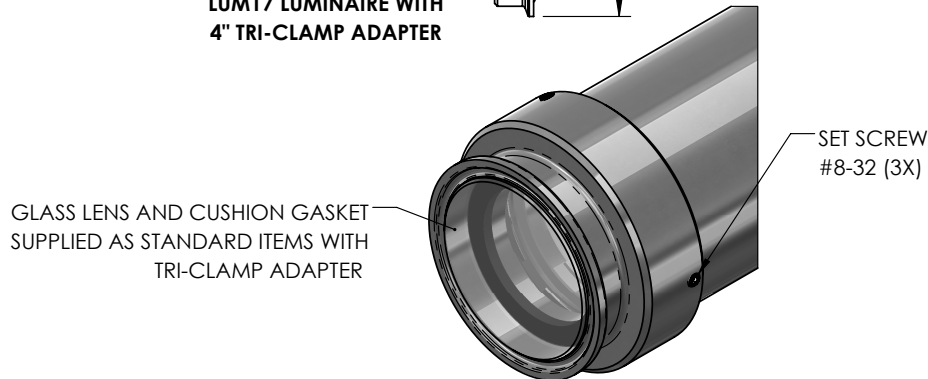
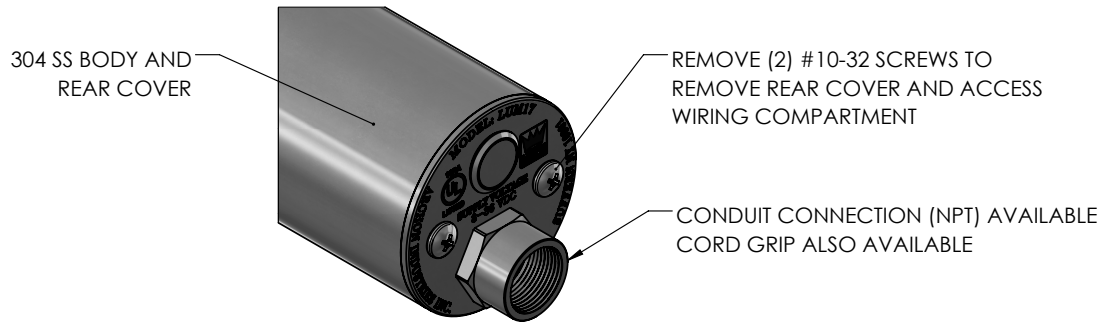
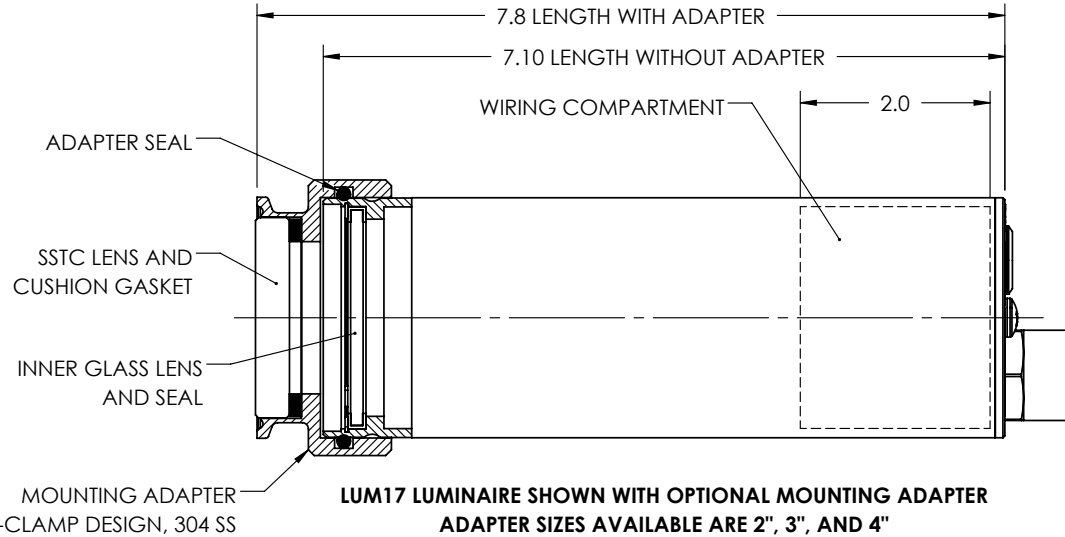
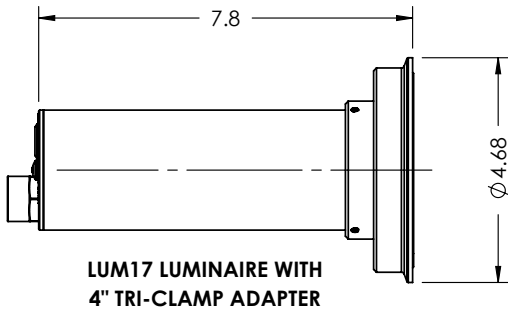
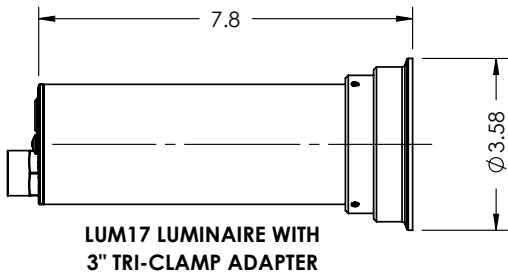
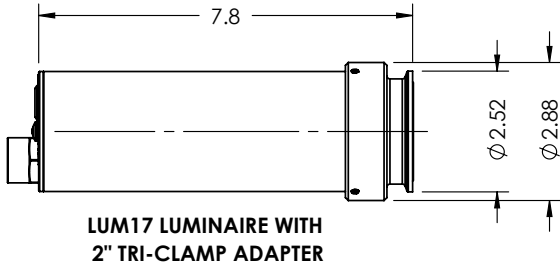
2



1

NOTES:

- LUMINAIRE CAN BE SUPPLIED FOR USE WITH AC OR DC POWER
AC VOLTAGE: 120/220/277 VAC; DC VOLTAGE: 8-36 VDC
- SEE INSTALLATION/OPERATION INSTRUCTIONS FOR WIRING INFORMATION
- UNIT WILL BE PROVIDED WITHOUT SWITCH FOR 277 VAC OPERATION
- SEE DWG LUM17-9502 FOR BRACKET MOUNT INFORMATION

REVISIONS				
REV	DESCRIPTION	DATE	DRAWN	APPROVED
A	ORIGINAL RELEASE	05/02/18	J.CUSTY	



UNLESS OTHERWISE SPECIFIED	DR	JPC	DATE 05/02/18	 <p>357 SPOOK ROCK ROAD SUFFERN, NY 10901 (845) 368-3600 FAX (845) 368-3040</p>	
DIMENSIONS IN INCHES	CHKD	DATE			
DECIMALS FRACTIONS	APVD	DATE			
X ± .030 ± 1/64	APVD	DATE			
XX ± .015 ANGLES	MATERIAL:		NOTED	TITLE: LUMINAIRE, TRI-CLAMP MOUNT, LUM17-1000	
XXX ± .010 ±.5	FINISH:		NONE		
REMOVE ALL BURRS AND BREAK SHARP EDGES .02 MAX	SURFACE ROUGHNESS		✓	SIZE A	SCALE: SHEET 1 OF 1
DIMENSIONS AFTER PLATING OR COATING	THIRD ANGLE PROJECTION			DWG. NO. LUM17-9501	REV A
DO NOT SCALE DRAWING					

2

1