



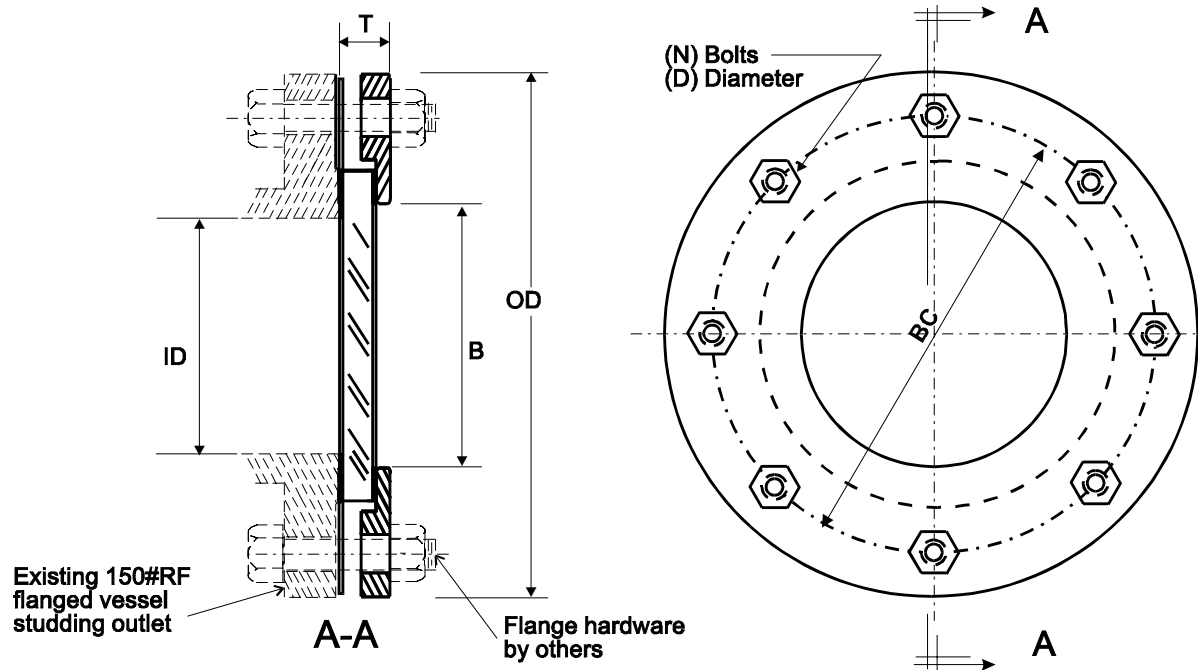
ARCHON model KB-RF-NL Bolt-On Sightglasses

Section
Bulletin
Issued
Page

2003
1001
01/08
013

ARCHON model KB-RF-NL Sightglasses

The ARCHON model KB-RF-NL provides a quick, efficient and economical way of adapting an existing studding outlet flange into a sightglass. This model utilizes the existing flange as your tank flange and ARCHON provides a full face gasket, lens, upper gasket and upper flange to bolt to your existing flange. ARCHON can match your existing flange detail. We stock 150# standard raised face flanges but we also provide 300#, 600# and European DIN style flanges if required.



Model	OD	B	ID	BC	N	D	T
KBRF-NL-1	4-1/4"	1"	1.05"	3-1/8"	4	1/2"	1.18"
KBRF-NL-1-1/2	5"	1-1/2"	1.61"	3-7/8"	4	1/2"	1.3"
KBRF-NL-2	6"	2"	2.07"	4-3/4"	4	5/8"	1.37"
KBRF-NL-2-1/2	7"	2-1/2"	2.47"	5-1/2"	4	5/8"	1.5"
KBRF-NL-3	7-1/2"	3"	3.07"	6"	4	5/8"	1.81"
KBRF-NL-4	9"	4"	4.04"	7-1/2"	8	5/8"	1.81"
KBRF-NL-5	10"	5"	5.05"	8-1/2"	8	3/4"	1.81"
KBRF-NL-6	11"	6"	6.07"	9-1/2"	8	3/4"	1.87"
KBRF-NL-8	13-1/2"	8"	7.98"	11-3/4"	8	3/4"	2.25"