



ARCHON model KB-FT Sightglasses

Section 2003
Bulletin 1001
Issued 01/08
Page 015

ARCHON model KB-FT Sightglasses

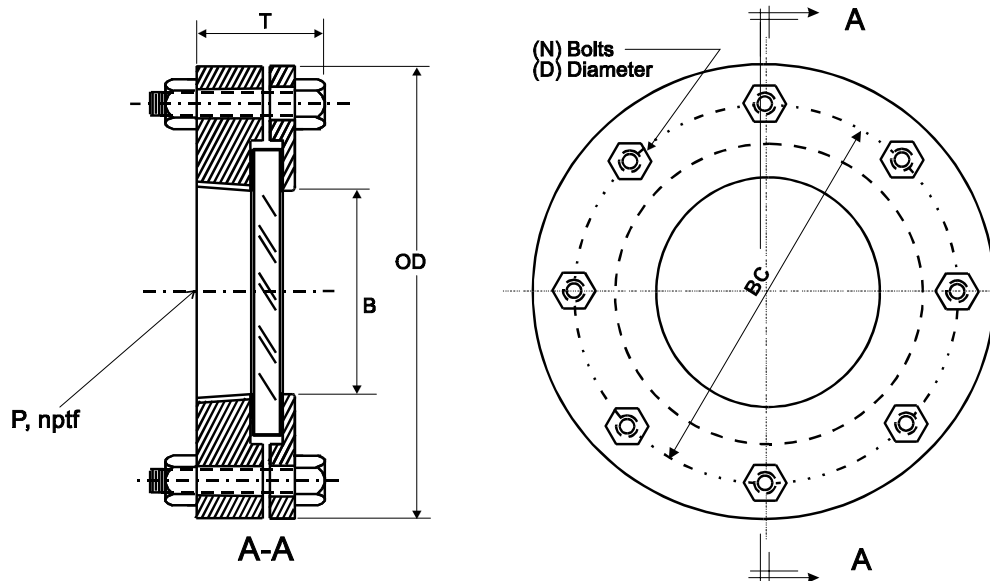
KB-FT are Threaded units designed to be turned onto the ends of pipe for viewing in any position. The lower flange is a standard ANSI 150# Threaded flange. Higher rated units are also available. (300# and 600#).

Material certification is furnished with all KB-FT units.

Available options include:

- Low Pressure Wiper
- High Pressure Wiper(Special Design)
- Non-Hazardous Lighting Units
- Spray Wash Systems

Standard sightglass lens material is Tempered Borosilicate(500°F) and Tempered Soda Lime(400°F). If your operating temperature requirement is above 550°F, we offer Vycor or Quartz glass. Available pipe sizes range from 1" to 8" standard and other sizes are available upon request.



Model	OD	ID	BC	N	D	T	P	Maximum Pressure
KBFT-1	4-1/4"	1"	3-1/8"	4	1/2"	1.7"	1"	150 psig
KBFT-1-1/2	5"	1-1/2"	3-7/8"	4	1/2"	2.0"	1-1/2"	150 psig
KBFT-2	6"	2"	4-3/4"	4	5/8"	2.3"	2"	150 psig
KBFT-3"	7-1/2"	3"	6"	4	5/8"	2.7"	3"	150 psig