



ARCHON model AKF-PTFE Sight Flow Indicator

Section 2003
Bulletin 1001
Issued 01/08
Page 033

ARCHON model AKF-PTFE Sight Flow Indicator

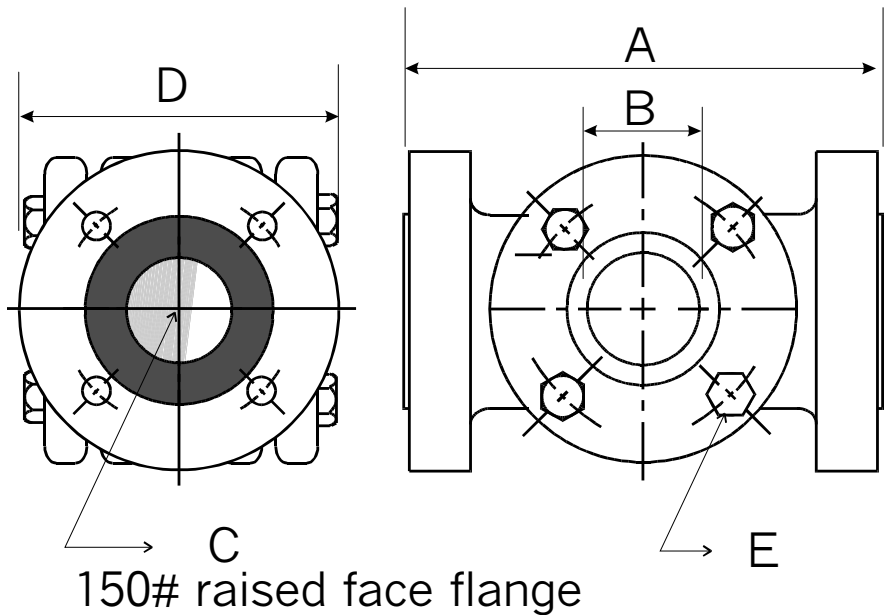
The model AKF-PTFE is a Flanged, 150# Sight Flow Indicator, TEFLON® lined with a cast body.

Teflon resins are essentially chemically inert. The only known chemicals that react with teflon are molten alkali metals, turbulent fluorine and a few fluoro-chemicals and halogenated organic chemicals.

Available devices to enhance visibility include, drip tube and flapper.

Bodies are available only in Iron. Standard units are available only in 150# ratings.

Model AKF-PTFE designates a 150# series



Features:

- ANSI flange rating, 150#, 300# and 600#
- Available with Drip Tube, Flapper and Rotator
- Dual Window units are available
- Standard Glass is Borosilicate
- Fused Glass Material is available

Model No.	Dimensions (in)				
	A	B	C -150# RF Flange	D	E
AKF-PTFE- 1	7	1-1/2	1	4-5/8	1/2-13UNC
AKF-PTFE- 1-1/2	8	2-3/8	1-1/2	5-5/8	1/2-13UNC
AKF-PTFE- 2	9	2-7/8	2	6-5/8	3/4
AKF-PTFE- 3	11	3-3/4	3	8-1/4	3/4
AKF-PTFE- 4	13	4-3/4	4	9-1/4	3/4
AKF-PTFE- 6	16	7	6	12-3/4	3/4
AKF-PTFE- 8	18	9	8	16-1/8	3/4

Notes: dimensions apply to:
 - Plain Model AKF-PTFE-P
 - Flapper Model AKF-PTFE-F

For Drip-Tube Model AKF-PTFE-D, add 3/16" to "A" Dimension.