



ARCHON model AKF-FH Sight Flow Indicator

Section 2003
Bulletin 1001
Issued 01/08
Page 032

ARCHON model AKF-FH Sight Flow Indicator

The model AKF-FH is a Flanged, 600# Sight Flow Indicator with a cast body.

This sight flow indicator provides visual observation and monitoring of the process flow stream.

Available devices to enhance visibility include, drip tube, flapper and rotator.

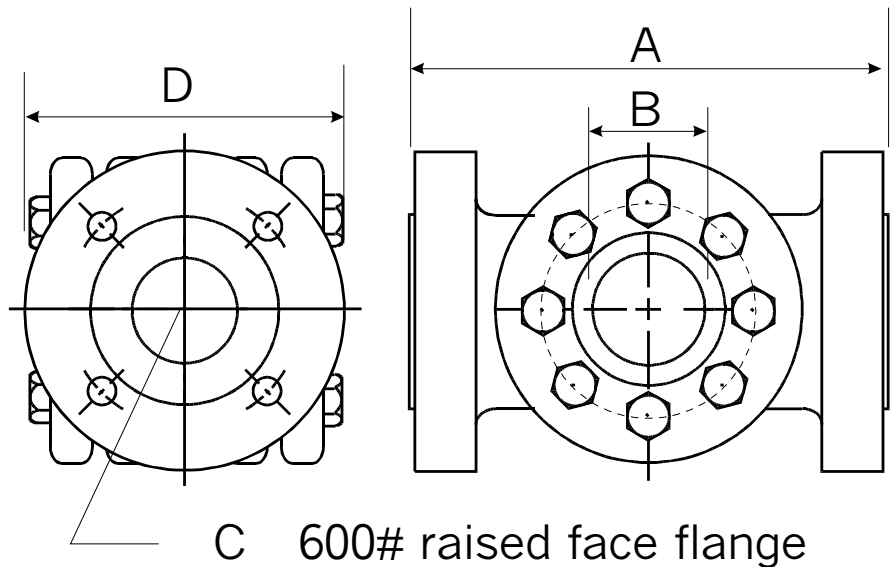
Bodies are available in Bronze, Iron, Steel and Stainless Steel. Special alloys are also available. Standard units are available in 150#, 300# and 600# ANSI ratings.

Model AKF-FH designates a 600# series.



Features:

- ANSI flange rating, 150#, 300# and 600#
- Available with Drip Tube, Flapper and Rotator
- Dual Window units are available
- Standard Glass is Borosilicate
- Fused Glass Material is available



Model No.	Dimensions (in)			
	A	B	C -600# RF Flange	D
AKF-FH-P- 1/2	6-1/4	1-1/4	1/2	5
AKF-FH-P- 3/4	6-1/4	1-1/4	3/4	5
AKF-FH-P- 1	7-1/4	1-3/8	1	5-3/4
AKF-FH-P- 1-1/4	7-7/8	2	1-1/4	7-1/8
AKF-FH-P- 1-1/2	7-7/8	2	1-1/2	7-1/8
AKF-FH-P- 2	9	2-1/8	2	8-5/8
AKF-FH-P- 2-1/2	11-3/4	3-3/16	2-1/2	11-7/8
AKF-FH-P- 3	11-3/4	3-3/16	3	11-7/8
AKF-FH-P- 4	14-1/4	4-1/4	4	14-1/2
AKF-FH-P- 6	23-3/8	5-3/8	6	19-3/4
AKF-FH-P- 8	24-5/8	5-3/8	8	19-3/4

Note: Above dimensions apply to:

- Plain Model AKF-FH-P
- Drip-Tube Model AKF-FH-D
- Flapper Model AKF-FH-F
- Rotator Model AKF-FH-R

(800) 554-1394

www.ARCHONind.com

ARCHON Industries, Inc.
 357 Spook Rock Road, Suffern NY 10901
 www.ARCHONind.com

fax: (845) 368-3040

sales@ARCHONind.com