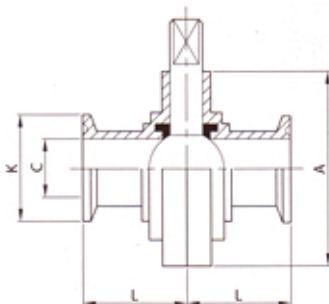


# K100 BV



DN	A	C	K	L	gr	
1"	25	79,0	22,1	50,5	35,0	950
1 1/2"	38	85,0	34,8	50,5	36,0	995
2"	51	105,0	47,5	64,0	40,0	1.200
2 1/2"	63	112,0	60,2	77,5	40,0	1.600
3"	76	125,0	72,9	91,0	40,0	1.950
4"	101	157,0	97,4	119,0	45,0	3.450
5"	127	180,0	122,0	144,5	41,0	4.300
6"	152	212,0	147,4	166,0	41,0	6.200
8"	203	256,5	198,2	217,0	45,0	8.100
10"	254	306,5	249,0	268,0	45,0	17.400