



**ARCHON Industries, Inc.**

# **LIGHTING UNIT FOR SCREW-ON SIGHT GLASS**

## **Model # HLM 100**



### **Installation / Operation / Maintenance Instruction**

Instruction #: **1009**  
Issued: **11/15/2004**

---

357 Spook Rock Road  
Bldg # 1 - 505  
Suffern, NY 10901



Tel.: (845) 368-3600  
Fax: (845) 368-3040  
sales@archonind.com

Use A LICENSED ELECTRICIAN AND CHECK WITH LOCAL AND NATIONAL CODES

These units are intended for Dry or Damp locations only.

### GENERAL REMARKS

1. Storage should be in a dry and sheltered place.
2. Installation and Maintenance has to be performed only by qualified personnel.
3. For use in especially aggressive surroundings, an additional corrosion protection should be considered.
4. Prior to installation or maintenance, the indications or remarks on the nameplate should be thoroughly read, understood and followed.
5. In case of frequent and repetitive use of built-in push buttons, observe the increase of housing temperature.
6. The increase of the housing temperature depending of the sight glass flange temperature and the ambient temperature has to be observed for lighting unit working in mode with "On/Off switch" or "continuous operation". Depending of the results and the local law, codes and regulations, appropriate preventive measures have to be taken.

### INSTALLATION

1. Prior to installation it should be verified that the protection rating of the light is suitable for the intended location and events in that location (e.g. cleaning).
2. All relevant indications and remarks on the nameplates should be read and understood prior to installation.
3. Always ensure that the light is connected to the correct supply voltage as indicated on the nameplate.
4. All lighting units are uniquely designed to fit on sight glass assemblies. Never use a light in place of the cover flange or glass disc on a sight glass or in place of the sight glass assembly itself.

---

357 Spook Rock Road  
Bldg # 1 – 505  
Suffern, NY 10901



Tel.: (845) 368-3600  
Fax: (845) 368-3040  
sales@archonind.com

5. Lighting units with built-in push buttons or timers should be operated only with these devices.
6. In addition top all service parameters influencing the temperature of the glass disc built into a sight glass, temperature increase of the glass disc caused by operation of a mounted light should also be considered.
7. Possible heat transfer from installed sight glass to the lighting unit has to be taken into consideration.
8. Service life of bulbs / reflector-bulbs may be detrimentally influenced by vibration.

### MAINTENANCE

1. For replacement bulb / reflector-bulbs always use an identical type and wattage (see nameplate and data sheet).
2. Never touch replacement bulbs with your fingers. Always use a proper cloth.
3. Only original spare parts for repair and maintenance work should be used.

**NOTE\* All finished wiring is located within the light housing.**



**This unit is not intended to remain ON for extended periods. An ON-OFF switching device must be installed in the power supply circuit. If the light is allowed to remain ON for an extended time, the lighting unit may become very hot and result in damage to the internal electrical components.**

If you have any questions, please contact ARCHON Industries directly @

Tel.: **(800) 554-1394**

Fax: **(845) 368-3040**

E-mail: [sales@archonind.com](mailto:sales@archonind.com)

---

357 Spook Rock Road  
Bldg # 1 – 505  
Suffern, NY 10901



---

Tel.: (845) 368-3600  
Fax: (845) 368-3040  
[sales@archonind.com](mailto:sales@archonind.com)

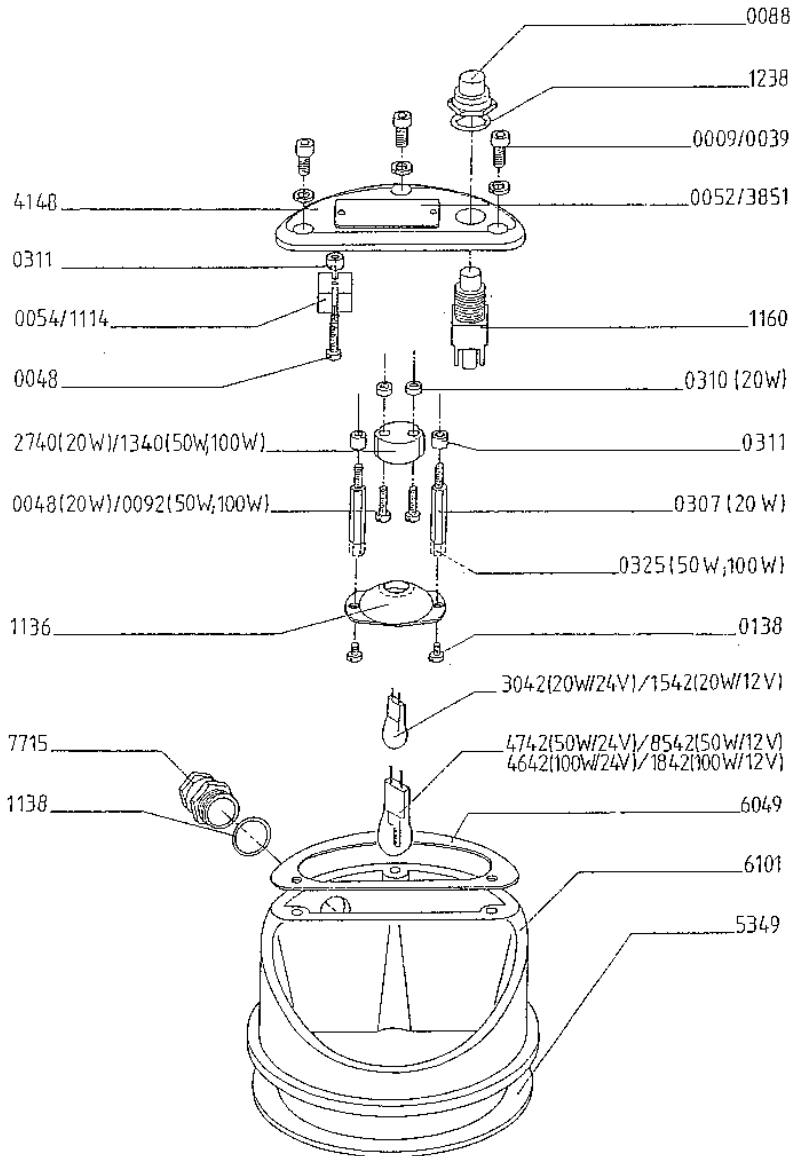


**CONSTRUCTION AND COMPONENTS**

**SIGHT GLASS LIGHT FITTINGS metaLUX®**

- TYPE HLM 100 H (24V/20W)
- TYPE HLM 100 H sp . (24V/50W) ; (24V/100W)
- TYPE HLM 100 H sp (12V/20W)
- TYPE HLM 100 H sp2 (12V/50W) ; (12V/100W)

- 0009 Spring washer
- 0039 Socket cap bolt
- 0048 Slotted cheese head screw
- 0052 Slot nail
- 0054 Cable terminal
- 0088 Cover to push button
- 0092 Slotted cheese head screw
- 0138 Slotted cheese head screw
- 0307 Distance piece
- 0310 Distance ring
- 0311 Distance ring
- 0325 Distance piece
- 1114 Terminal block
- 1136 Reflector
- 1138 Sealing ring
- 1160 Push button
- 1238 Sealing ring
- 1340 Lamp socket GY 6.35
- 1542 Halogene bulb 12V/20W
- 1842 Halogene bulb 12V/100W
- 2740 Lamp socket G4
- 3042 Halogene bulb 24V/20W
- 3851 Name plate
- 4148 Cover
- 4642 Halogene bulb 24V/100W
- 4742 Halogene bulb 24V/50W
- 5349 Housing gasket
- 6049 Cover gasket
- 6101 Housing
- 7715 Cable gland
- 8542 Halogene bulb 12V/50W



Thank you for using ARCHON products.

357 Spook Rock Road  
Bldg # I - 505  
Suffern, NY 10901



Tel.: (845) 368-3600  
Fax: (845) 368-3040  
sales@archonind.com